



GeneratorJoe®

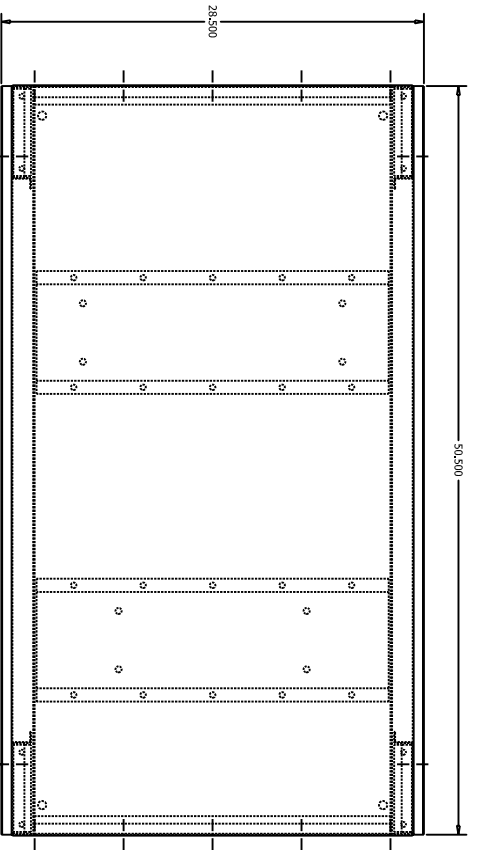
FOR : GeneratorJoe 20 kW LT Enclosure
 TYPE: ASSEMBLY
 PART NO: 09ENC502732
 DWN. BY :

MATERIAL: .075/ 14 GA. GALV.
 BEND ALLOW.: .062
 DATE :
 SCALE : NOT TO SCALE

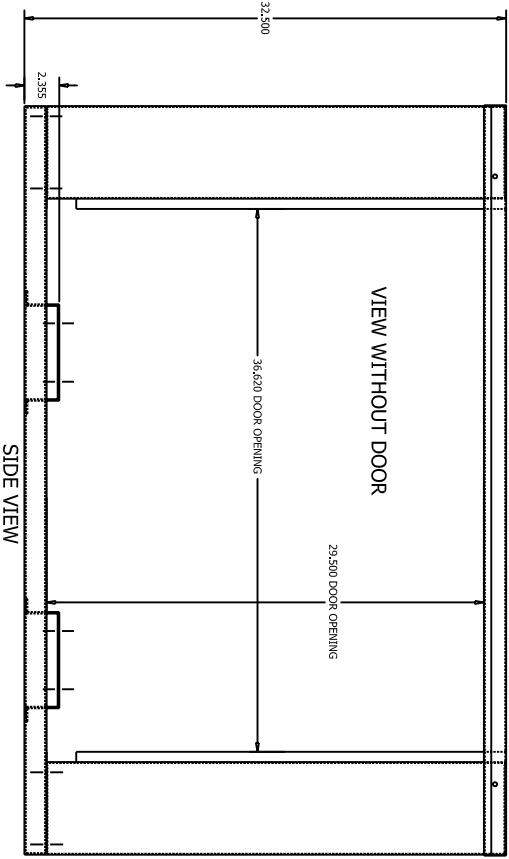
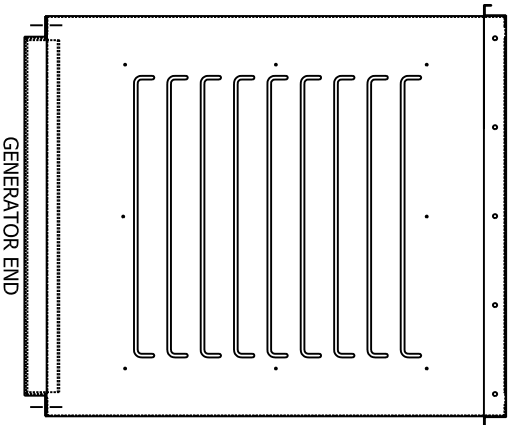
REV.

SHEET

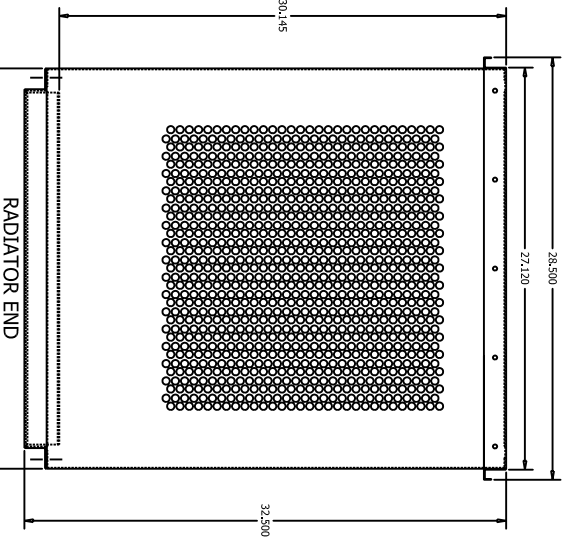
1



TOP VIEW



VIEW WITHOUT DOOR



RADIATOR END

GeneratorJoe®
 4723 Muirfield Court
 Santa Rosa, CA 95405
 Phone: 707 542-2224
 Fax: 707 542-2227
 Email: sales@generatorjoe.net
 Web: www.generatorjoe.net