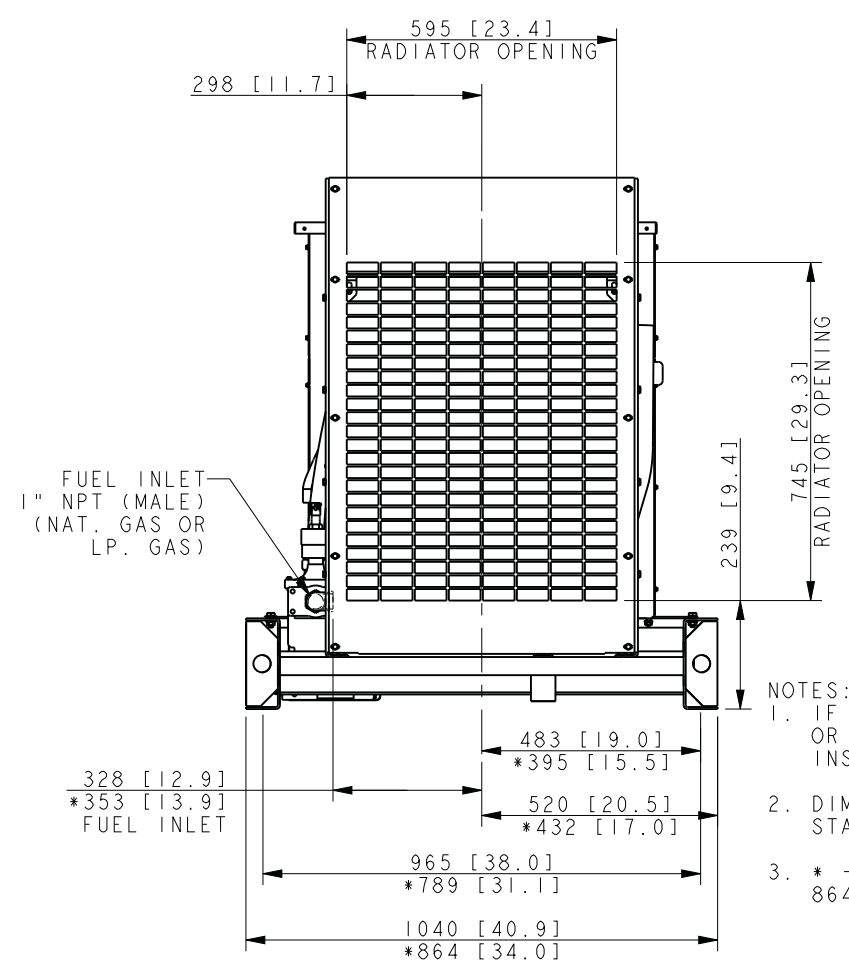
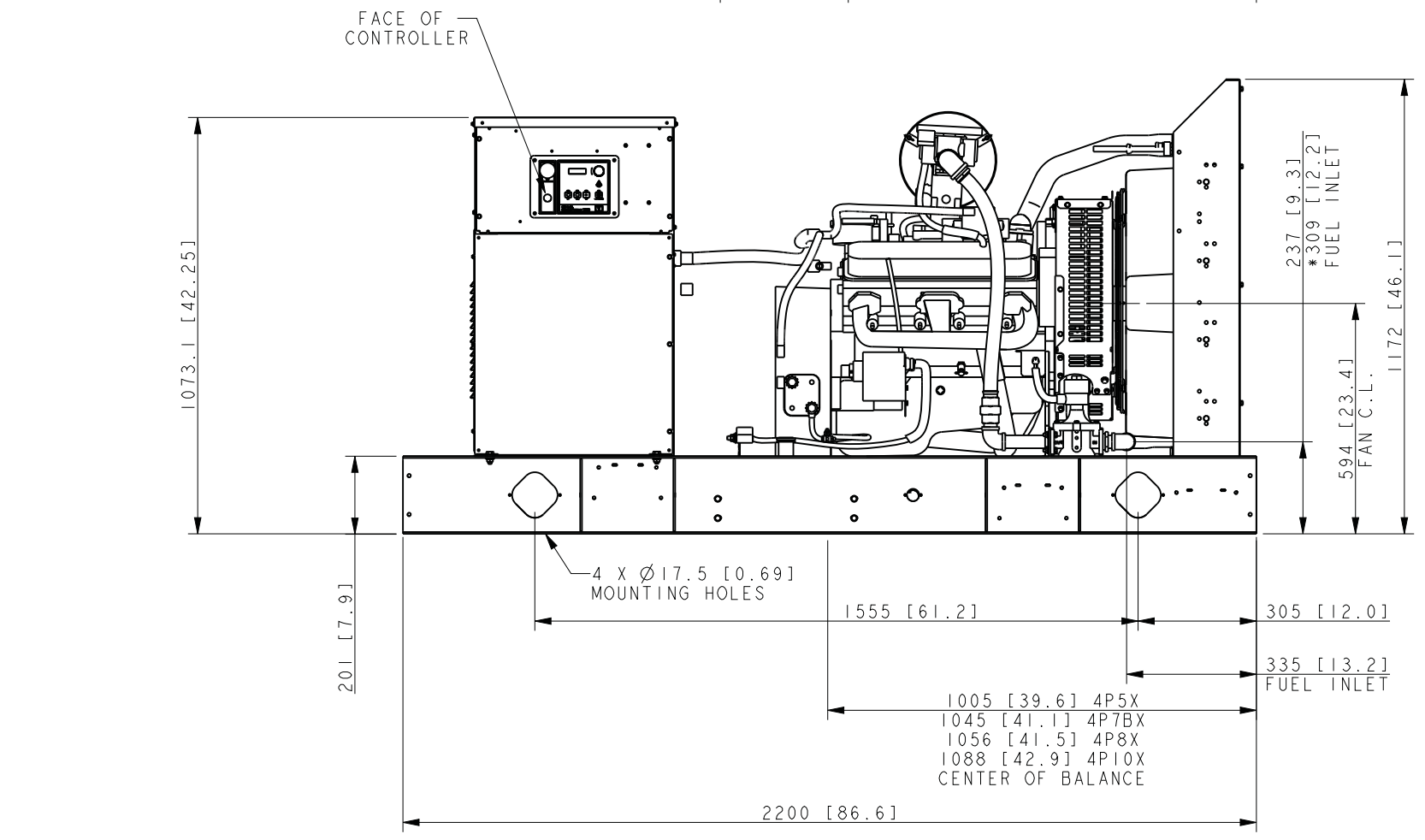


MODEL	ALTERNATOR	WEIGHT (WET)
50/60	4P7BX	813 KG [1792 LBS]
50/60	4P10X	869 KG [1917 LBS]
50/60	4P8X/4Q8X	831 KG [1831 LBS]
50	4Q7BX	813 KG [1792 LBS]
60	4Q10X	869 KG [1917 LBS]



- NOTES:
- IF IBC CERTIFICATION IS APPLICABLE OR REQUIRED SEE SEISMIC ADV FOR INSTALLATION INSTRUCTIONS.
 - DIMENSIONS IN [] ARE ENGLISH STANDARD EQUIVALENTS.
 - * - ASTERISK DENOTES 864 [34.0] SKID WIDTH.

50 MODEL, 4P5X, 4P7BX, 4Q7BX, 4Q10X
60 MODEL 4P7BX, 4Q7BX, 4P10X, 4Q10X
RECONNECTABLE & 600V ALTERNATOR
5.0 & 5.7 LITER GM 2009 EMISSIONS

REV	DATE	ON COMPOSITE DWGS. SEE PART NO. FOR REVISION LEVEL	BY	UNLESS OTHERWISE SPECIFIED - 1) DIMENSIONS ARE IN MILLIMETERS 2) TOLERANCES ARE:
-	10-19-10	NEW DRAWING [89970-5]	KMP	X.XX ± 0.25
A	3-8-12	(C-2) CHART UPDATED [CT06909]	SAM	X.X ± 1.0
B	5-6-13	(D-2) 4P8X/4Q8X WEIGHT ADDED [CT44496]	SAM	X ANGLES ± 0° 30' MAX.
C	7-18-13	(A-5) IN DIM. CENTRE OF BALANCE, 1056 [41.5] 4P8X ADDED; (C-8) 4P8X, 4Q8X ADDED IN DIM. 240 [9.4] AND (D-2) 4P10X WAS 4P10X [CT50366]	NMD	THIRD ANGLE PROJECTION
D	08-06-14	(C-7) 4P8X, 4Q8X ADDED IN DIM 221 [8.7] [CT89289]	PAS	APPROVALS
E	9-15-14	SEE SHEET 2 [CT93079]	SAM	DATE
				10-19-10
				10-19-10
				10-19-10

KOHLER CO. METRIC PRO-E

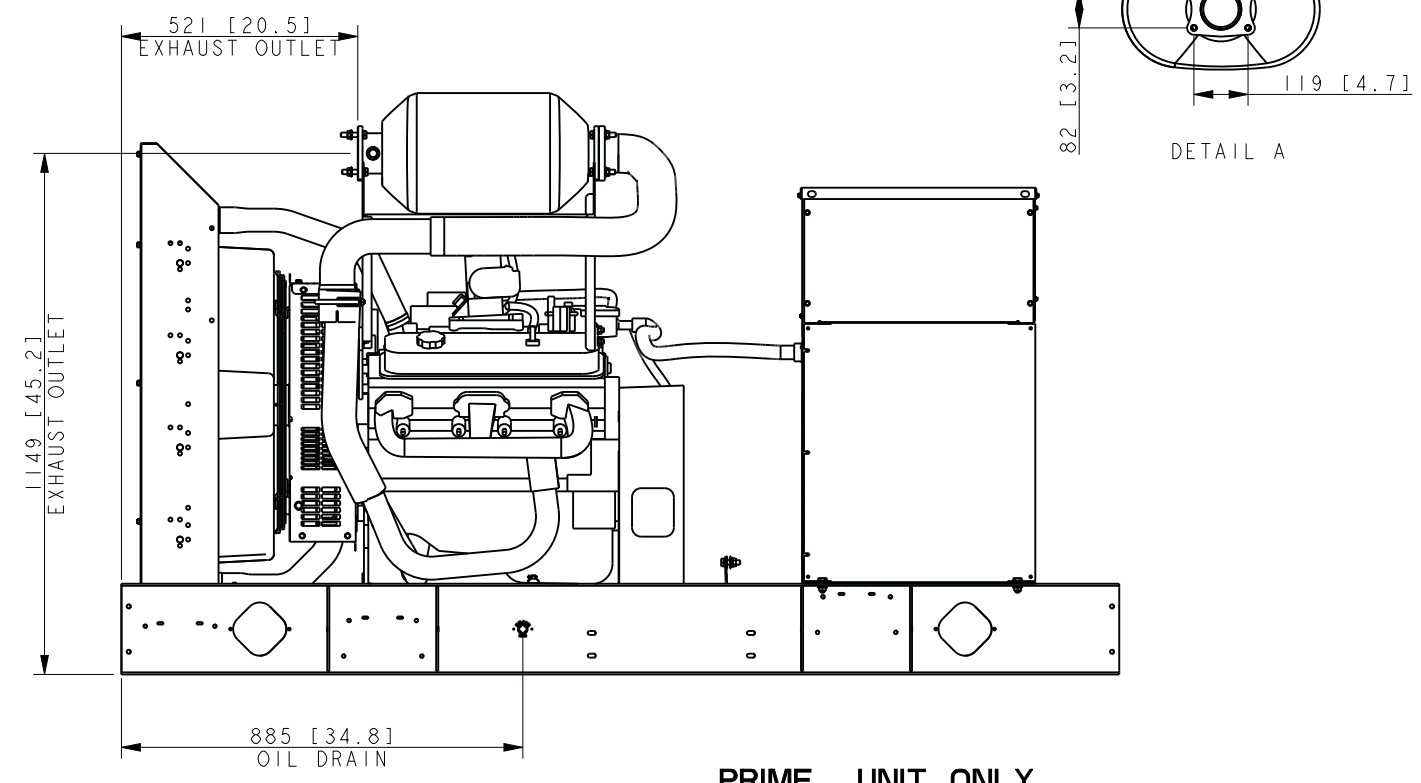
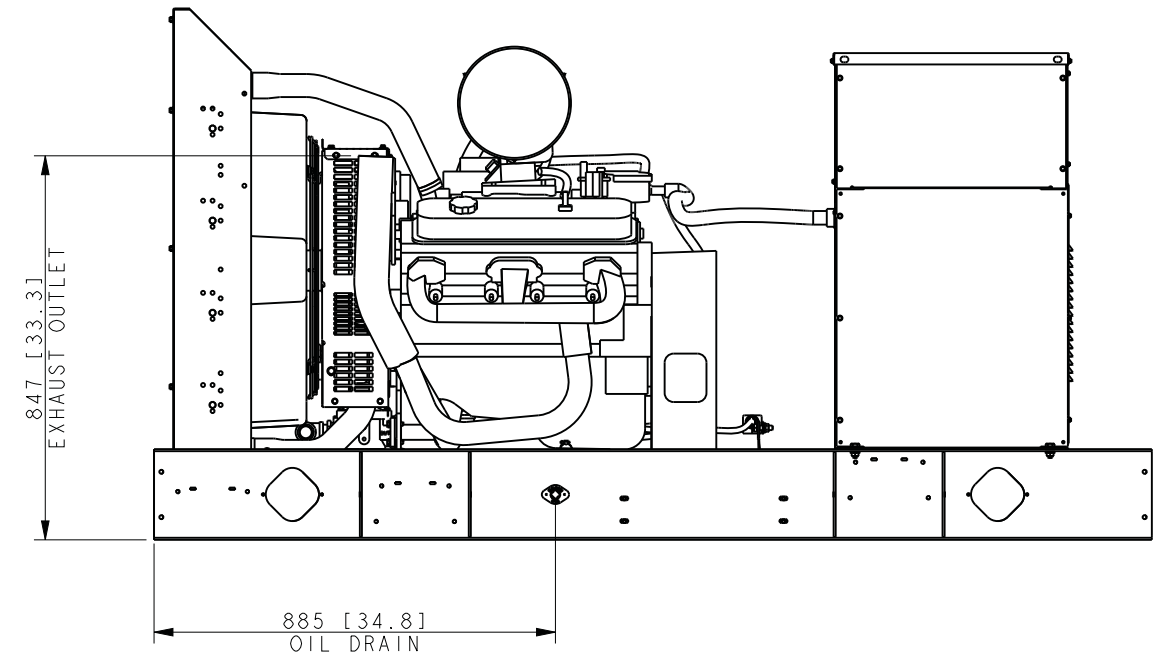
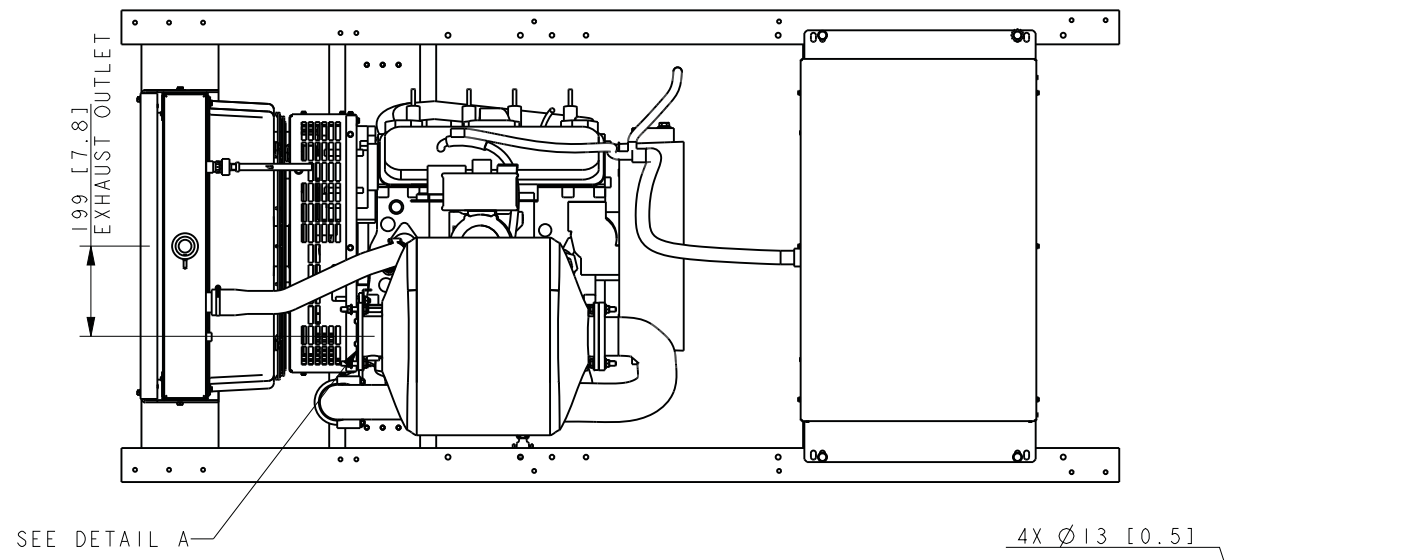
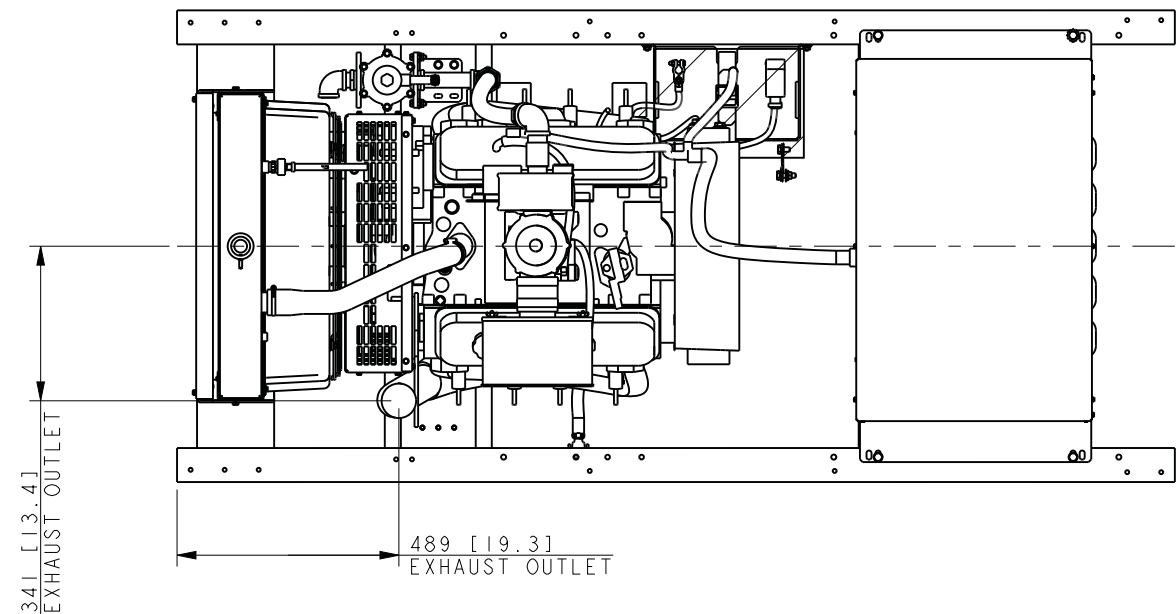
POWER SYSTEMS, KOHLER, WI 53044 U.S.A.

THIS DRAWING IN DESIGN AND DETAIL IS KOHLER CO. PROPERTY AND MUST NOT BE USED EXCEPT IN CONNECTION WITH KOHLER CO. WORK. ALL RIGHTS OF DESIGN OR INVENTION ARE RESERVED.

TITLE: **DIMENSION PRINT**
50/60 GM

SCALE 0.12 CAD NO. SHEET 1 of 2

ADV-7908



PRIME UNIT ONLY

50 MODEL, 4P5X, 4P7BX, 4Q7BX, 4Q10X
 60 MODEL 4P7BX, 4Q7BX, 4P10X, 4Q10X
 RECONNECTABLE & 600V ALTERNATOR
 5.0 & 5.7 LITER GM 2009 EMISSIONS

REV	DATE	ON COMPOSITE DWGS. SEE PART NO. FOR REVISION LEVEL	BY	UNLESS OTHERWISE SPECIFIED - 1) DIMENSIONS ARE IN MILLIMETERS 2) TOLERANCES ARE:
-	10-19-10	NEW DRAWING [89907-5]	KMP	X.XX ± 0.25
A	3-8-12	SEE SHEET 1 [CT06909]	SAM	X.X ± 1.0
B	5-6-13	SEE SHEET 1 [CT44496]	SAM	X ± 1.5
C	7-18-13	SEE SHEET 1 [CT50366]	NMD	ANGLES ± 0° 30' MAX.
D	08-06-14	SEE SHEET 1 [CT89289]	PAS	THIRD ANGLE PROJECTION
E	9-15-14	(A-2) PRIME UNIT VIEW ADDED [CT93079]	SAM	

APPROVALS	DATE
DRAWN KMP	10-19-10
CHECKED KDW	10-19-10
APPROVED GDF	10-19-10

KOHLER CO. METRIC PRO-E
 POWER SYSTEMS, KOHLER, WI 53044 U.S.A.
 THIS DRAWING IN DESIGN AND DETAIL IS KOHLER CO. PROPERTY AND MUST NOT BE USED EXCEPT IN CONNECTION WITH KOHLER CO. WORK. ALL RIGHTS OF DESIGN OR INVENTION ARE RESERVED.

TITLE: **DIMENSION PRINT**
50/60 GM

SCALE 0.12 CAD NO. SHEET 2 of 2
 DWG NO. **ADV-7908**