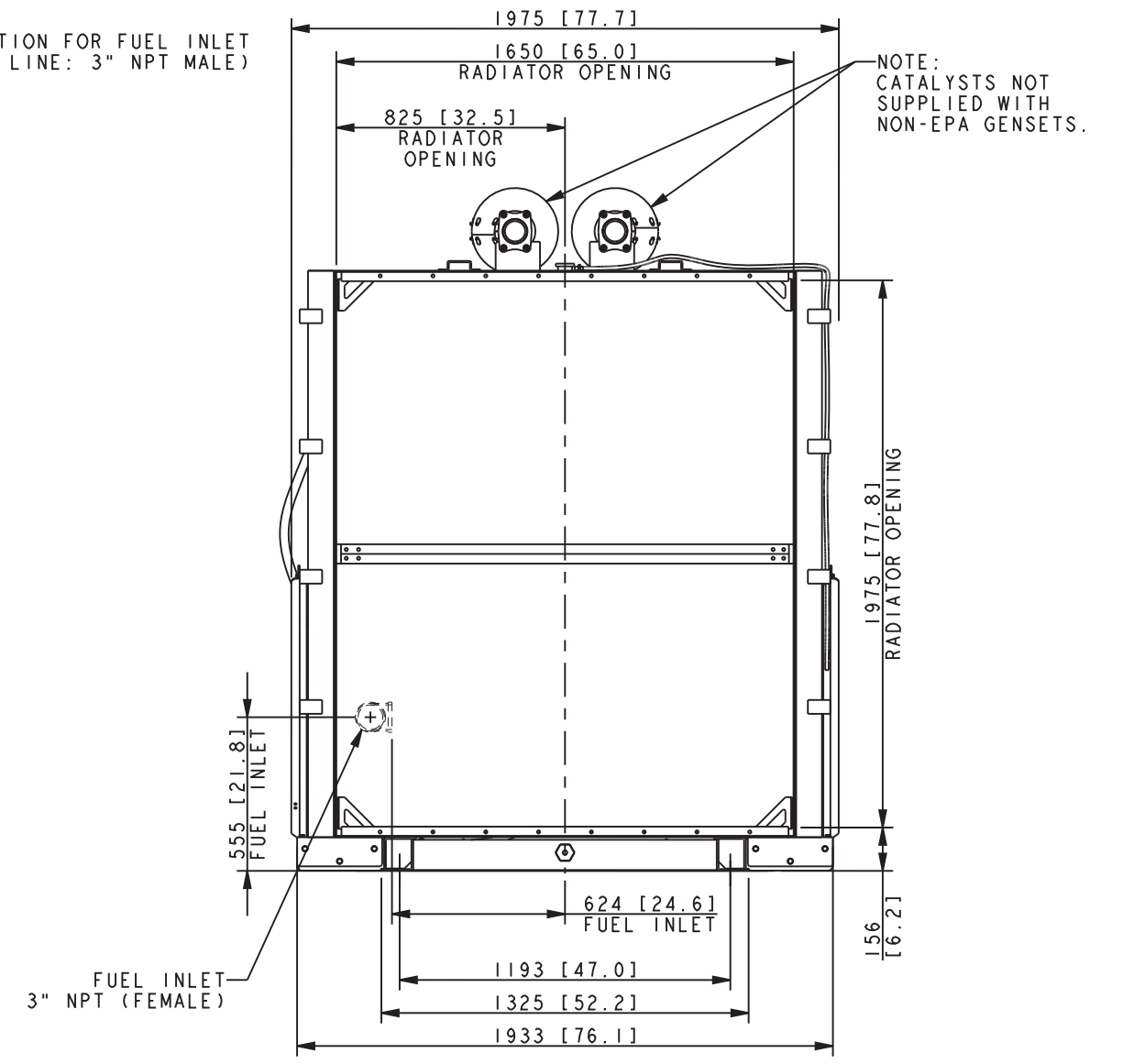
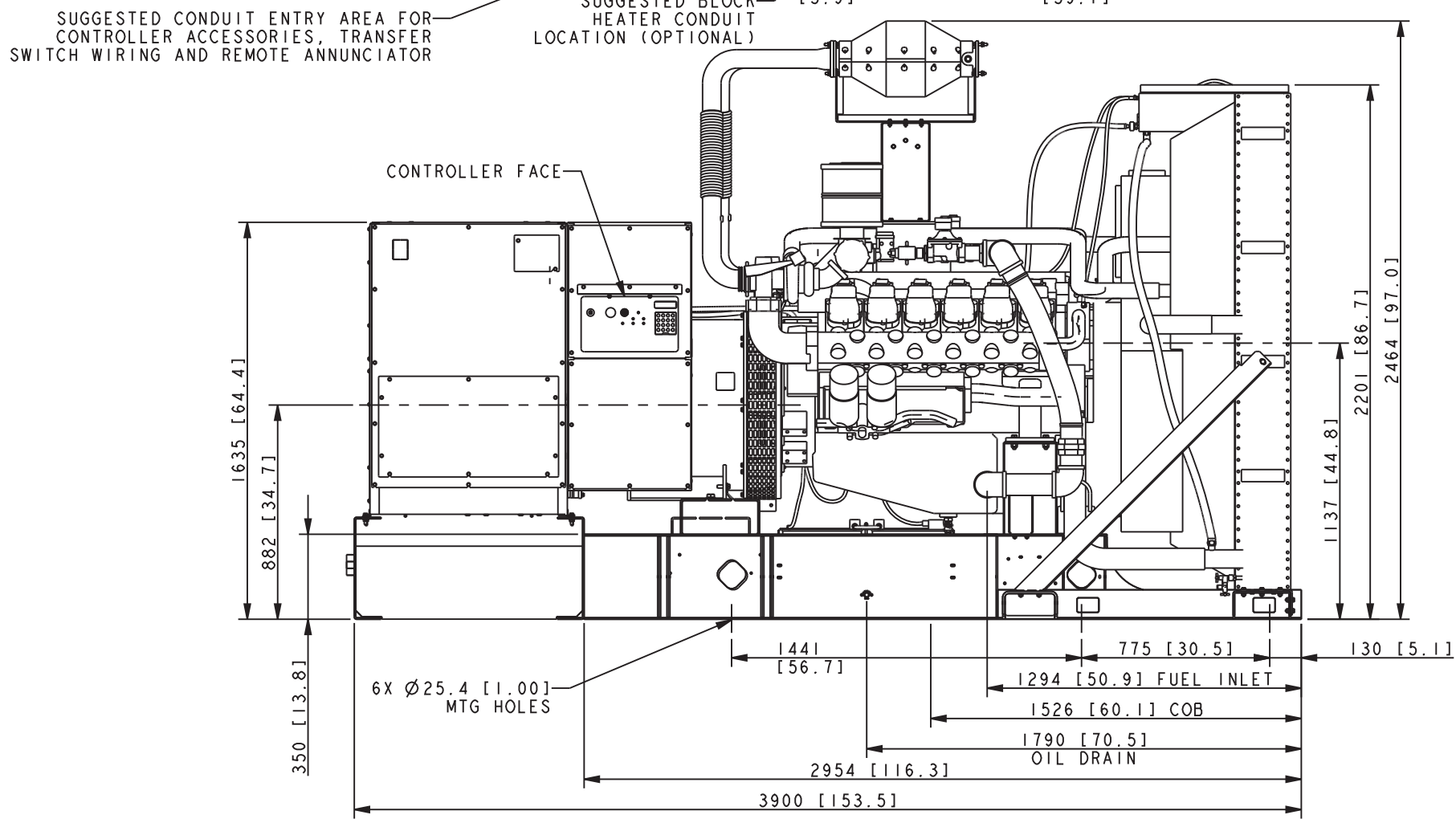


ALTERNATOR FRAME	CONNECTION
4M4266	4 LEAD
5M4024	10 LEAD
5M4027	12 LEAD
5M4160	4 LEAD

ALL LEAD CONNECTIONS USE 10MM [3/8] HARDWARE.

- NOTES:**
- 1) DIMENSIONS IN [] ARE INCH EQUIVALENTS.
 - 2) WHEN A HOUSING IS USED THE FUEL LINE MUST BE STUBBED UP FROM DIRECTLY UNDER THE UNIT OR BROUGHT IN FROM THE END OF SKID
- MAX. WEIGHT (WET) 4170 KG [9175 LBS] LESS ACCESSORIES



400 MODEL RECONNECTABLE 380V, 600V ALT 22 LITER DOOSAN, EPA & NON-EPA

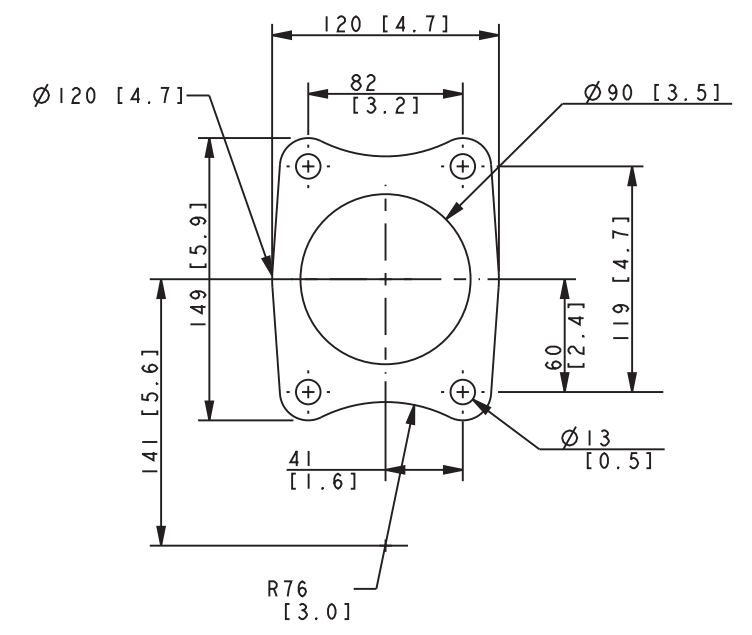
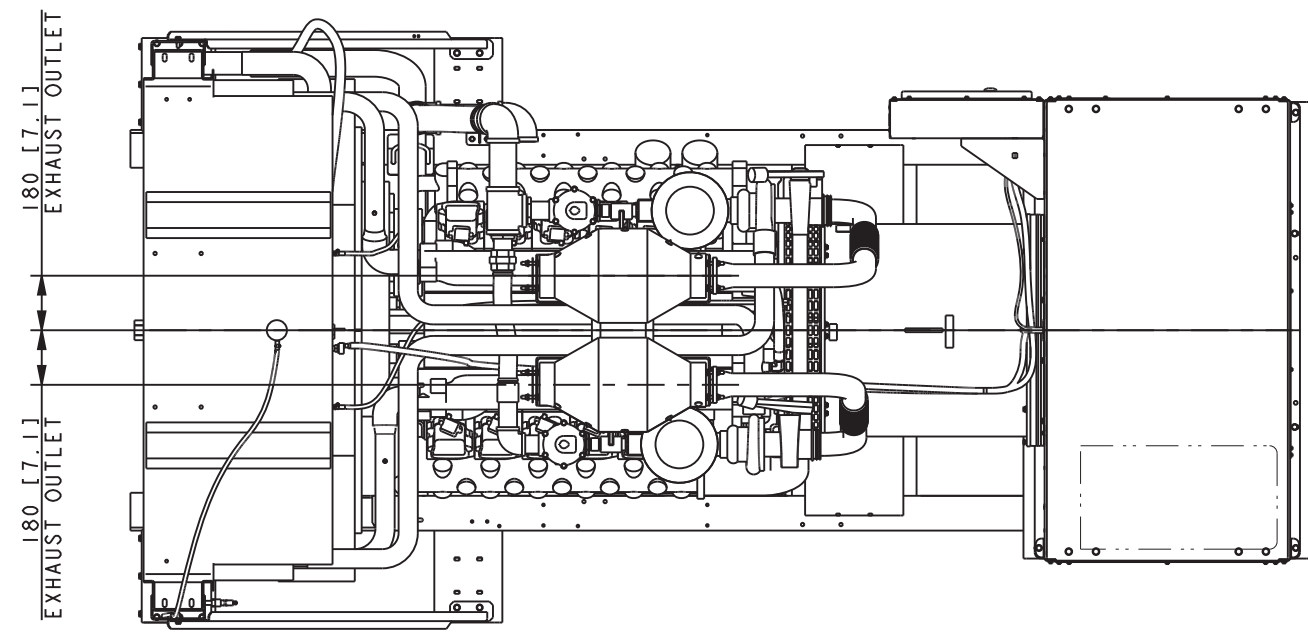
REV	DATE	ON COMPOSITE DWGS, SEE PART NO. FOR REVISION LEVEL	BY
-	2-7-11	NEW DRAWING [90713-3]	AWK
A	5-18-11	(D-7/8) TOP CONDUIT ENTRY AREA ADDED; (C/D-7/8) 726 WAS 706, 108 WAS 118, 382 WAS 392, 342 WAS 322 [91691]	AWK

KOHLER CO. METRIC PRO-E
 POWER SYSTEMS, KOHLER, WI 53044 U.S.A.
 THIS DRAWING IN DESIGN AND DETAIL IS KOHLER CO. PROPERTY AND MUST NOT BE USED EXCEPT IN CONNECTION WITH KOHLER CO. WORK. ALL RIGHTS OF DESIGN OR INVENTION ARE RESERVED.

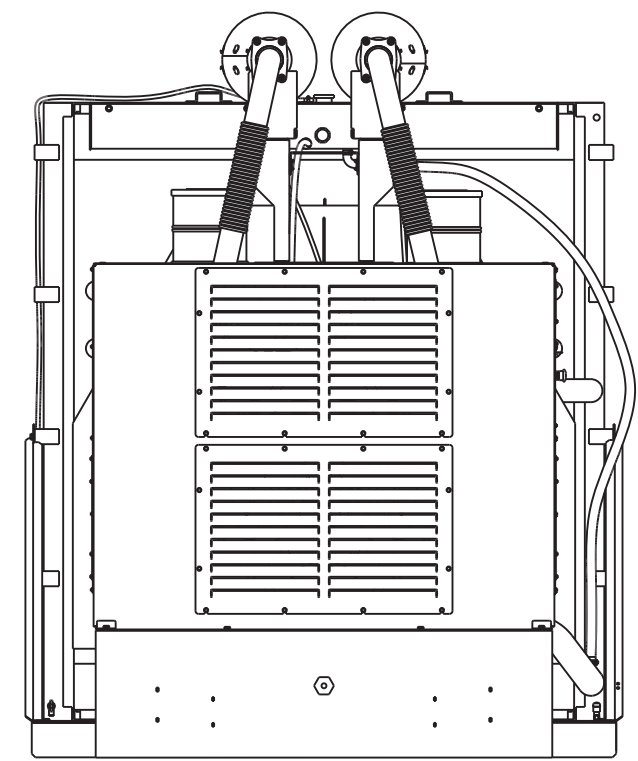
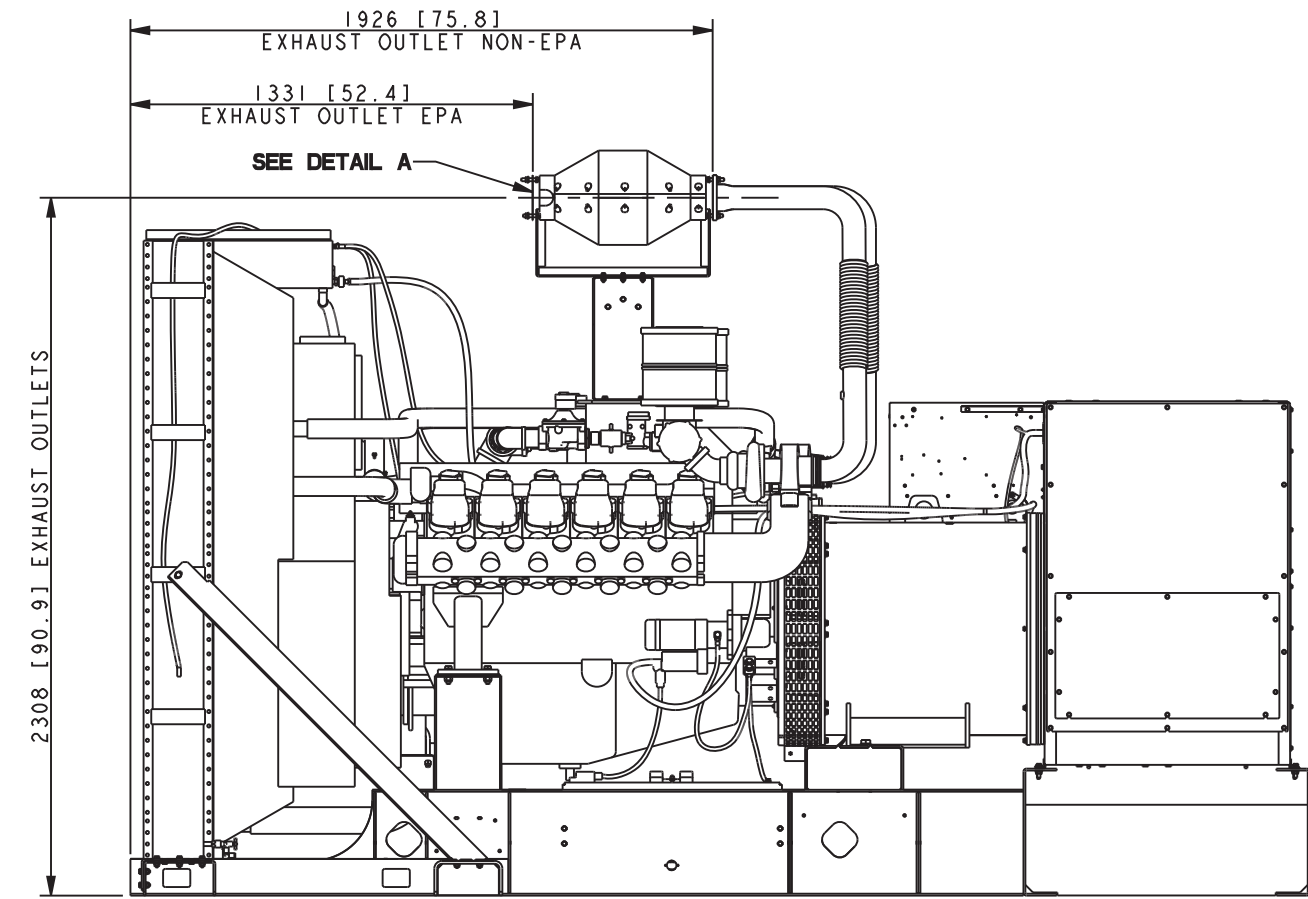
TITLE: **DIMENSION PRINT, 400 REZXB/RZXB**

SCALE 0.08 CAD NO. SHEET 1 of 3

ADV-7989 **D**



DETAIL A
EXHAUST OUTLETS
SCALE 0.50

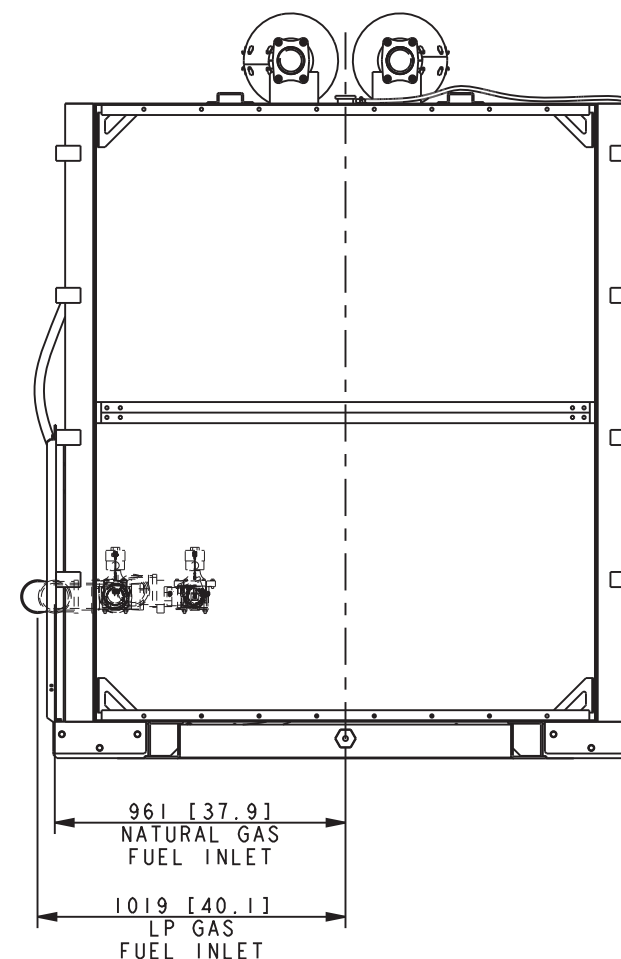
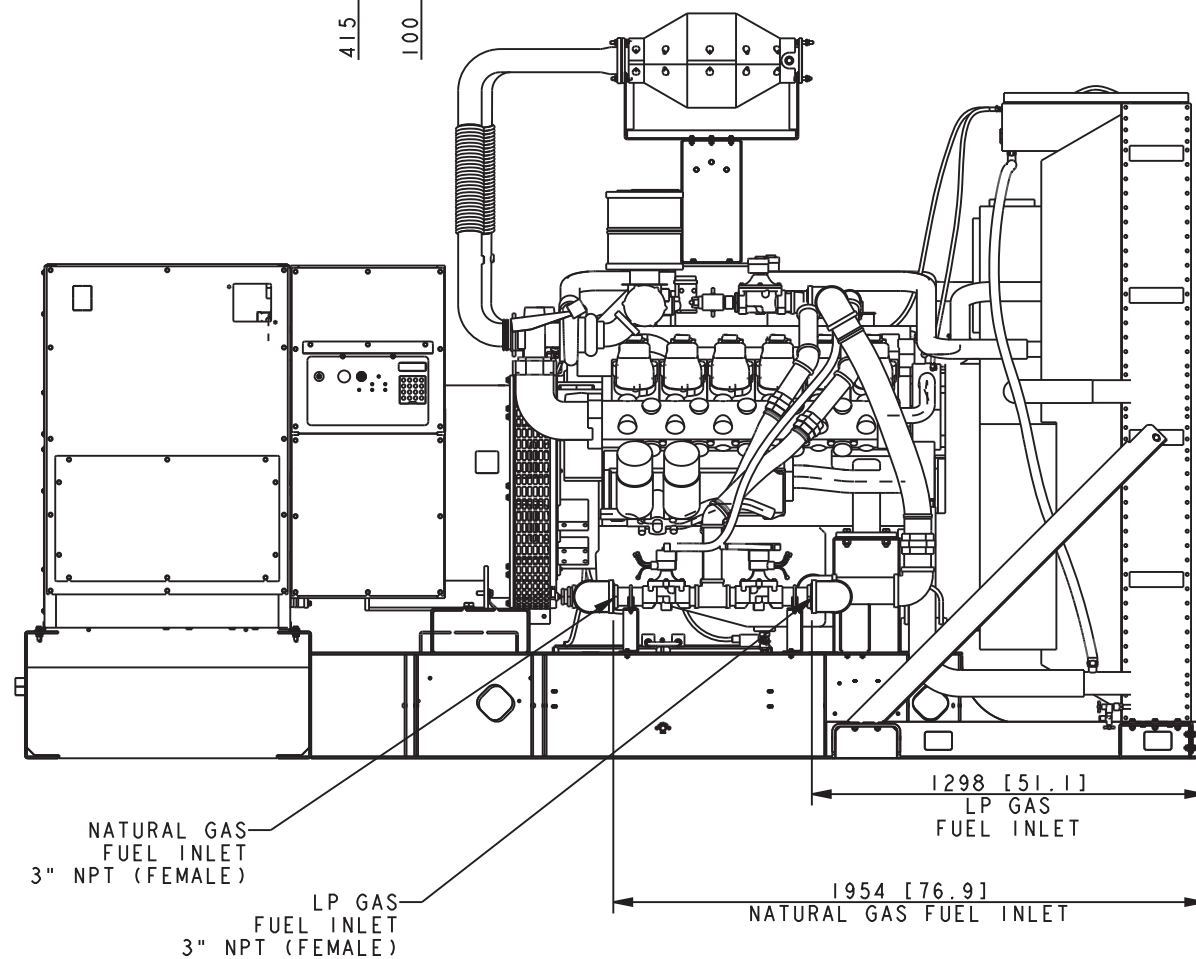
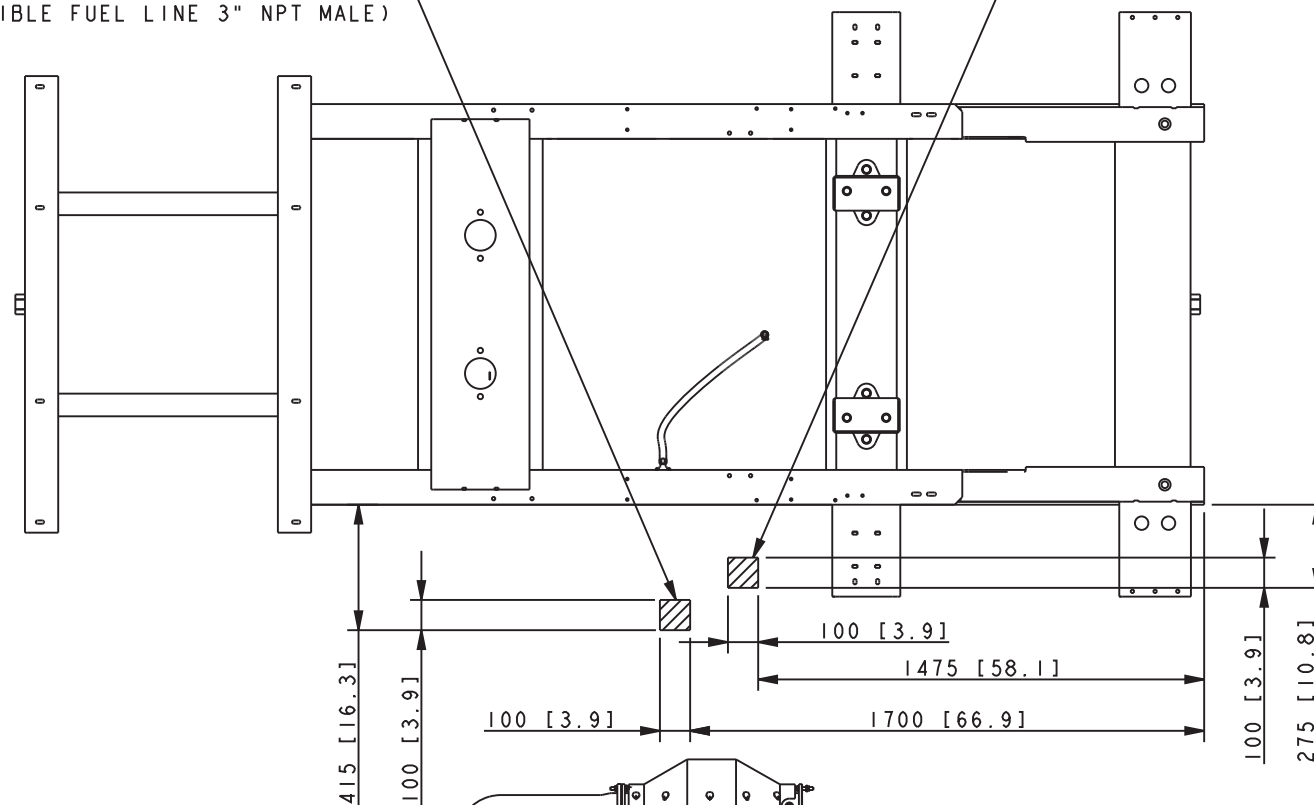


400 MODEL
RECONNECTABLE
380V, 600V ALT
22 LITER DOOSAN, EPA & NON-EPA

REV	DATE	ON COMPOSITE DWGS. SEE PART NO. FOR REVISION LEVEL	BY	UNLESS OTHERWISE SPECIFIED - 1) DIMENSIONS ARE IN MILLIMETERS 2) TOLERANCES ARE:	APPROVALS	DATE	TITLE
-	2-7-11	NEW DRAWING [90713-3]	AWK	X.XX ±			KOHLER CO. METRIC PRO-E POWER SYSTEMS, KOHLER, WI 53044 U.S.A. THIS DRAWING IN DESIGN AND DETAIL IS KOHLER CO. PROPERTY AND MUST NOT BE USED EXCEPT IN CONNECTION WITH KOHLER CO. WORK. ALL RIGHTS OF DESIGN OR INVENTION ARE RESERVED.
A	5-18-11	SEE SHEET 1 [91691]	AWK	X.X ±			
				ANGLES ±			DIMENSION PRINT, 400 REZXB/RZXB SCALE 0.08 CAD NO. SHEET 2 of 3 DWG NO. ADV-7989
					APPROVED	WRD	
					CHECKED	CWF	
					DRAWN	AWK	

SUGGESTED LOCATION FOR LP GAS SUPPLY
(FLEXIBLE FUEL LINE 3" NPT MALE)

SUGGESTED LOCATION FOR NATURAL GAS SUPPLY
(FLEXIBLE FUEL LINE 3" NPT MALE)



DUAL FUEL NATURAL GAS & LP GAS

400 MODEL
RECONNECTABLE
380V, 600V ALT
22 LITER DOOSAN, EPA & NON-EPA

REV	DATE	ON COMPOSITE DWGS. SEE PART NO. FOR REVISION LEVEL	BY	UNLESS OTHERWISE SPECIFIED - 1) DIMENSIONS ARE IN MILLIMETERS 2) TOLERANCES ARE:
-	2-7-11	NEW DRAWING [90713-3]	AWK	X.XX ±
A	5-18-11	SEE SHEET 1 [91691]	AWK	X.X ±
				ANGLES ±
				SURFACE FINISH MAX.
				THIRD ANGLE PROJECTION
			APPROVALS	DATE
			DRAWN	2-7-11
			CHECKED	CWF 2-7-11
			APPROVED	WRD 2-7-11

KOHLER CO. METRIC PRO-E
POWER SYSTEMS, KOHLER, WI 53044 U.S.A.
THIS DRAWING IN DESIGN AND DETAIL IS KOHLER CO.
PROPERTY AND MUST NOT BE USED EXCEPT IN
CONNECTION WITH KOHLER CO. WORK. ALL RIGHTS OF
DESIGN OR INVENTION ARE RESERVED.

TITLE
DIMENSION PRINT, 400 REZXB/RZXB

SCALE 0.08 CAD NO. SHEET 3 of 3
DWG NO. **ADV-7989** **D**