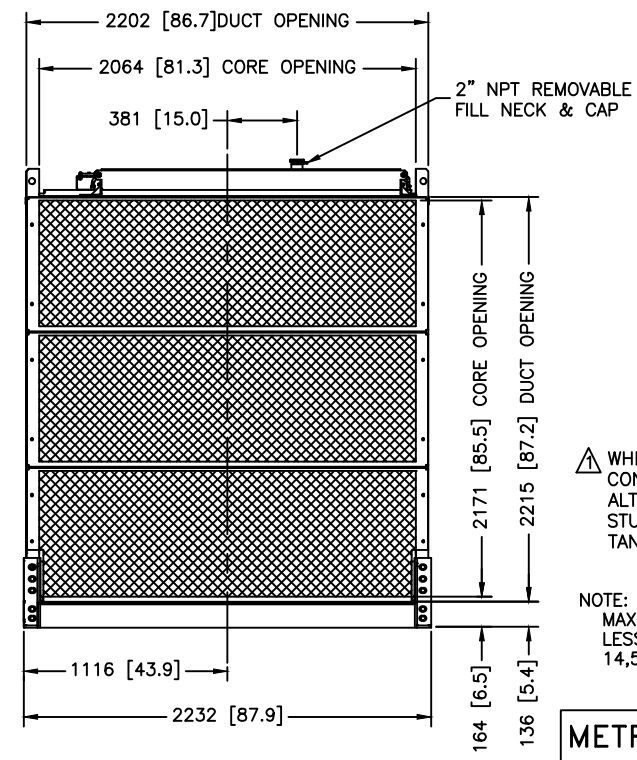
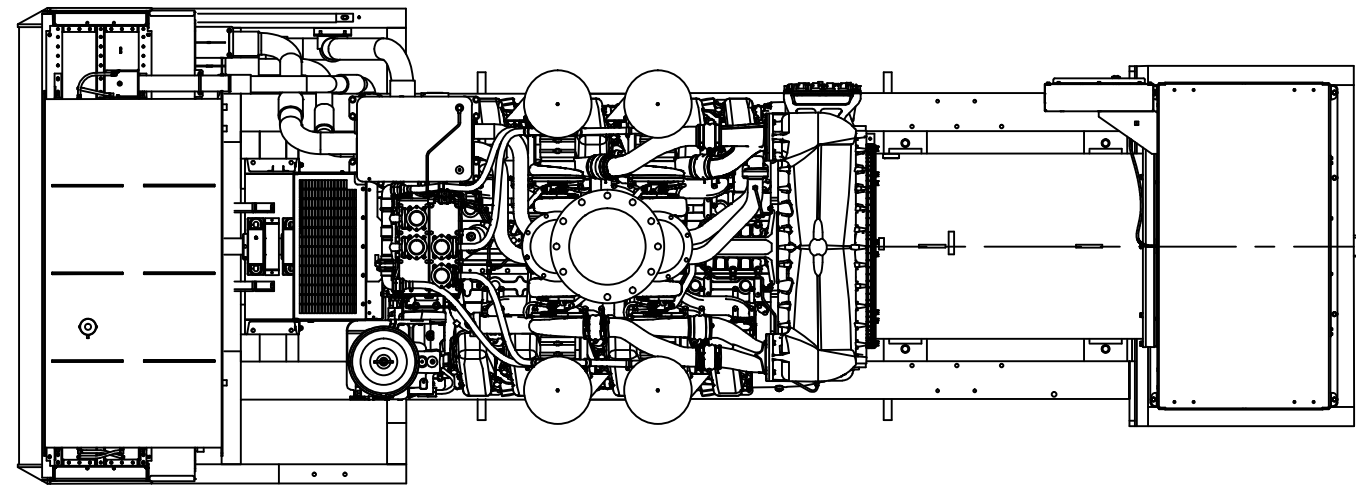


REV	DATE	REVISION	BY
-	6-16-11	NEW DRAWING [91724-6]	DJV
A	2-13-12	(C-8) ADD DIMS 1690 [66.5], 845 [33.3]	CEK
		(C-3) REMOVE BUS CONNECTIONS VIEW [C705336]	CEK
B	10-16-13	SEE SHEET 2 [C760856]	SAM
C	3-23-16	SEE SHEET 5 [C7142480]	SAM



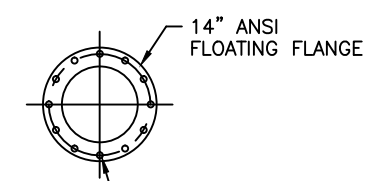
1750 MODEL 50/60 HZ
7M4052, 7M4054, 7M4056, 7M4058,
7M4176, 7M4292 7M4370, 7M4374
RECONNECTABLE, 380V, 600V, 3300V, 4160V ALTERNATORS
40C COOLING SYSTEM
SERIES 4000, TIER II

REV	DATE	REVISION	BY
-	6-16-11	NEW DRAWING [91724-6]	DJV
A	2-13-12	SEE SHEETS 1, 3 & 4 [CT05336]	CEK
B	10-16-13	(B-6) OIL CENTRIFUGAL NOTE ADDED [CT60856]	SAM
C	3-23-16	SEE SHEET 5 [CT142480]	SAM

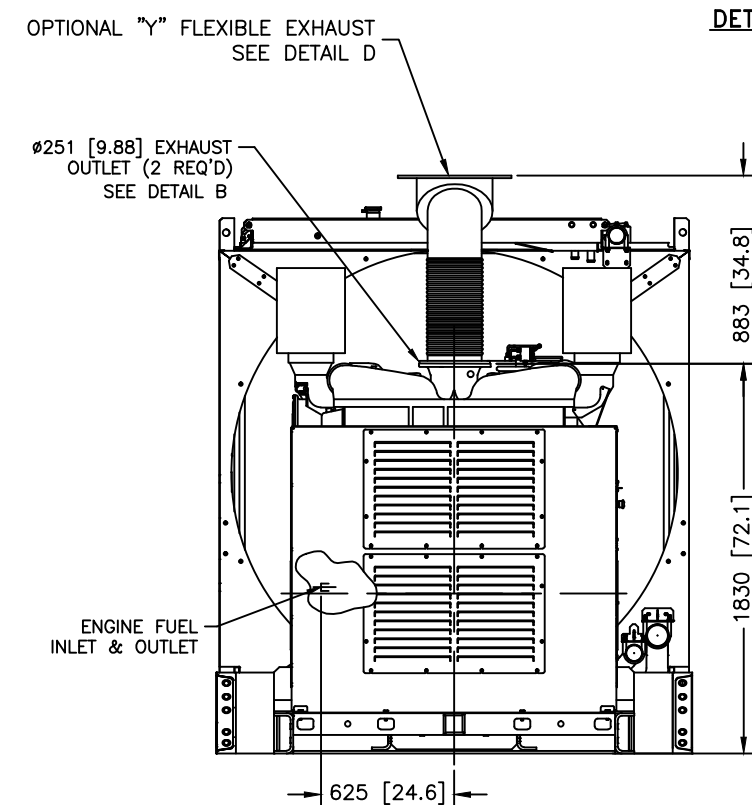
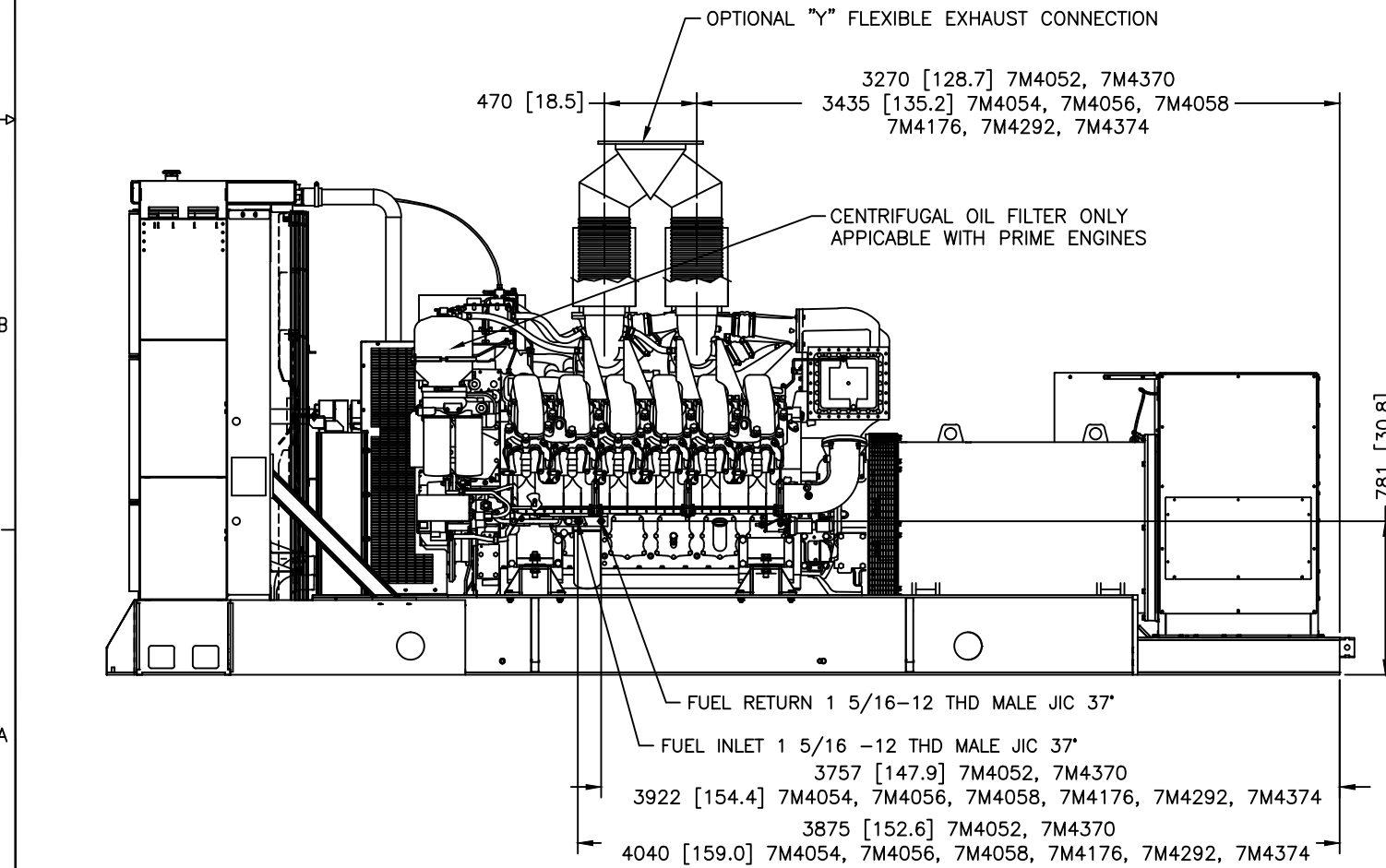


Ø251 [Ø9.88] Ø330 [Ø13.00]

ENGINE EXHAUST OUTLET
(2- PLACES)
DETAIL B
14 [.56] DIA THRU
8 HOLES EQUALLY
SPACED ON A
Ø302 [11.88] B.C.



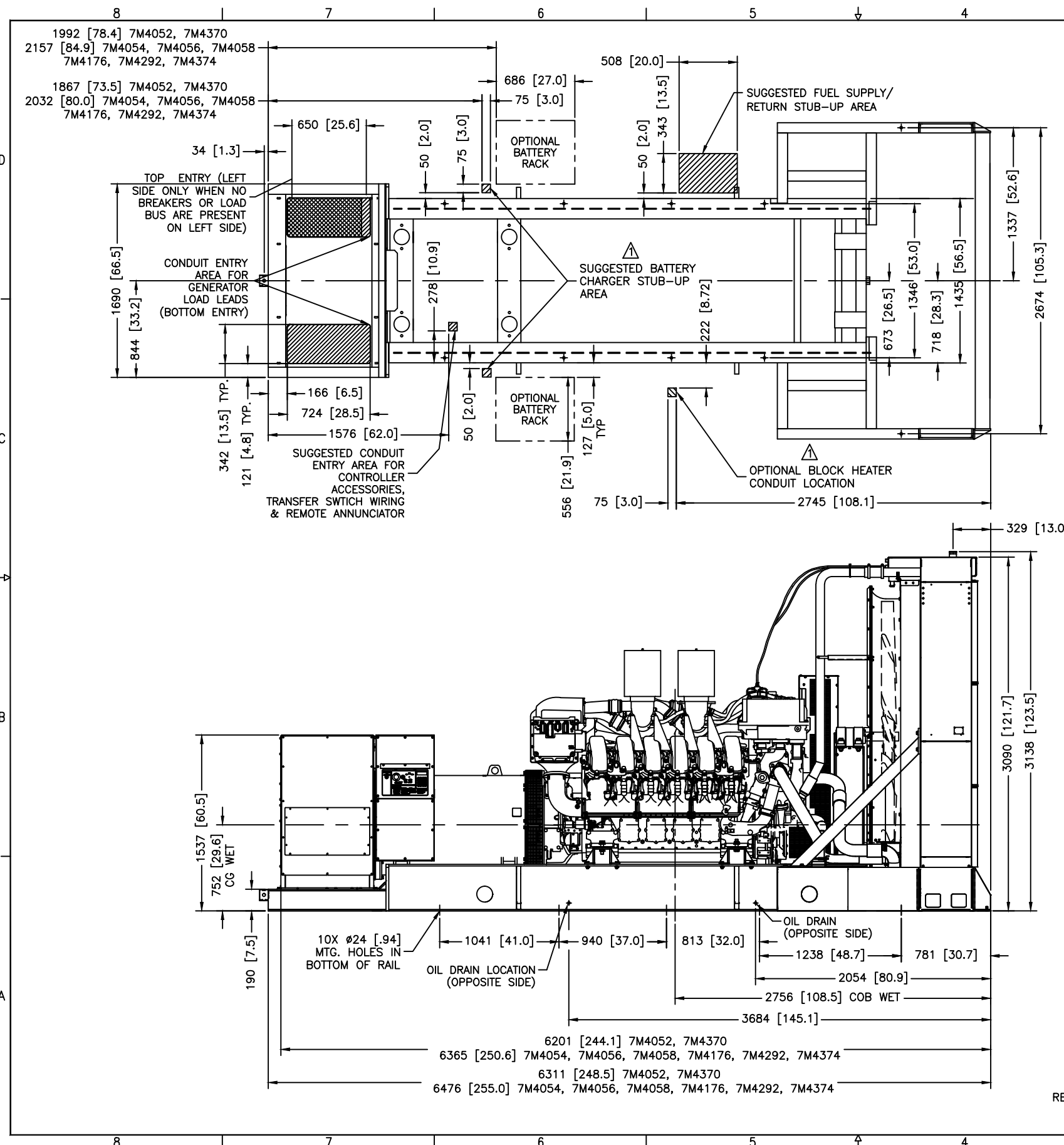
DETAIL D



METRIC CAD FILE

NOTE: DIMENSIONS IN [] ARE INCH EQUIVALENTS.

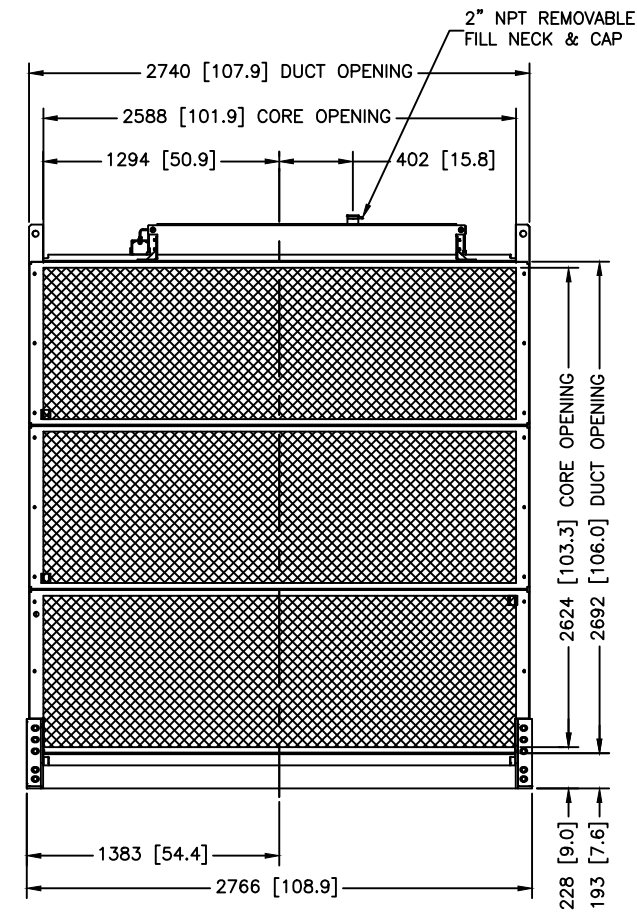
UNLESS OTHERWISE SPECIFIED -		SURFACE FINISH	
1) DIMENSIONS ARE IN MILLIMETERS		✓ MAX.	
2) TOLERANCES ARE:		X.XX ±	
M ±		X ±	
ANGLES ±		X ±	
3) DIMENSIONAL PRECISION		TITLE	
APPROVALS	DATE	POWER SYSTEMS, KOHLER, WI 53044 U.S.A.	
DRAWN DJV	6-16-11	THIS DRAWING, IN DESIGN AND DETAIL, IS KOHLER CO. PROPERTY AND	
CHECKED DJV	6-16-11	MUST NOT BE USED EXCEPT IN CONNECTION WITH KOHLER CO. WORK.	
APPROVED JDZ	6-16-11	ALL RIGHTS OF DESIGN OR INVENTION ARE RESERVED.	
1750 MODEL 50/60 HZ		DIMENSION PRINT	
7M4052, 7M4054, 7M4056, 7M4058,		1750 KW SERIES 4000	
7M4176, 7M4292 7M4370, 7M4374		SCALE	
RECONNECTABLE, 380V, 600V, 3300V, 4160V ALTERNATORS		SHEET 2-5	
SERIES 4000, TIER II		ADV-8414 D	



INSTALLATION NOTE
 IF SUBBASE FUEL TANK AND/OR SOUND HOUSING IS USED, REFER TO SUBBASE FUEL TANK ADV TO DETERMINE MOUNTING LOCATIONS.

REV	DATE	REVISION	BY
-	6-16-11	NEW DRAWING [91724-6]	DJV
A	2-13-12	(C-8) ADD DIMS 1690 [86.5], 845 [33.3] (D-3) REMOVE BUS CONNECTIONS VIEW [CT05336]	CEK
B	10-16-13	SEE SHEET 2 [CT60856]	SAM
C	3-23-16	SEE SHEET 5 [CT142480]	SAM

INSTALLATION NOTE
 IF IBC CERTIFICATION IS REQUIRED SEE SEISMIC ADV FOR INSTALLATION INSTRUCTIONS



⚠ WHEN SUBBASE TANK IS USED, CONDUIT LOCATION SHOULD BE ALTERED ACCORDINGLY, OR IN STUB-UP AREA FOR SUBBASE TANK. REFER TO SUBBASE ADV.

NOTE:
 MAXIMUM WET WEIGHT OF GENSET LESS ACCESSORIES:
 14,969 KG [33,000 LBS]

METRIC CAD FILE

NOTE: DIMENSIONS IN [] ARE INCH EQUIVALENTS.

UNLESS OTHERWISE SPECIFIED -
 1) DIMENSIONS ARE IN MILLIMETERS
 2) TOLERANCES ARE:
 .XX ±
 .X ±
 X ±
 ANGLES ±

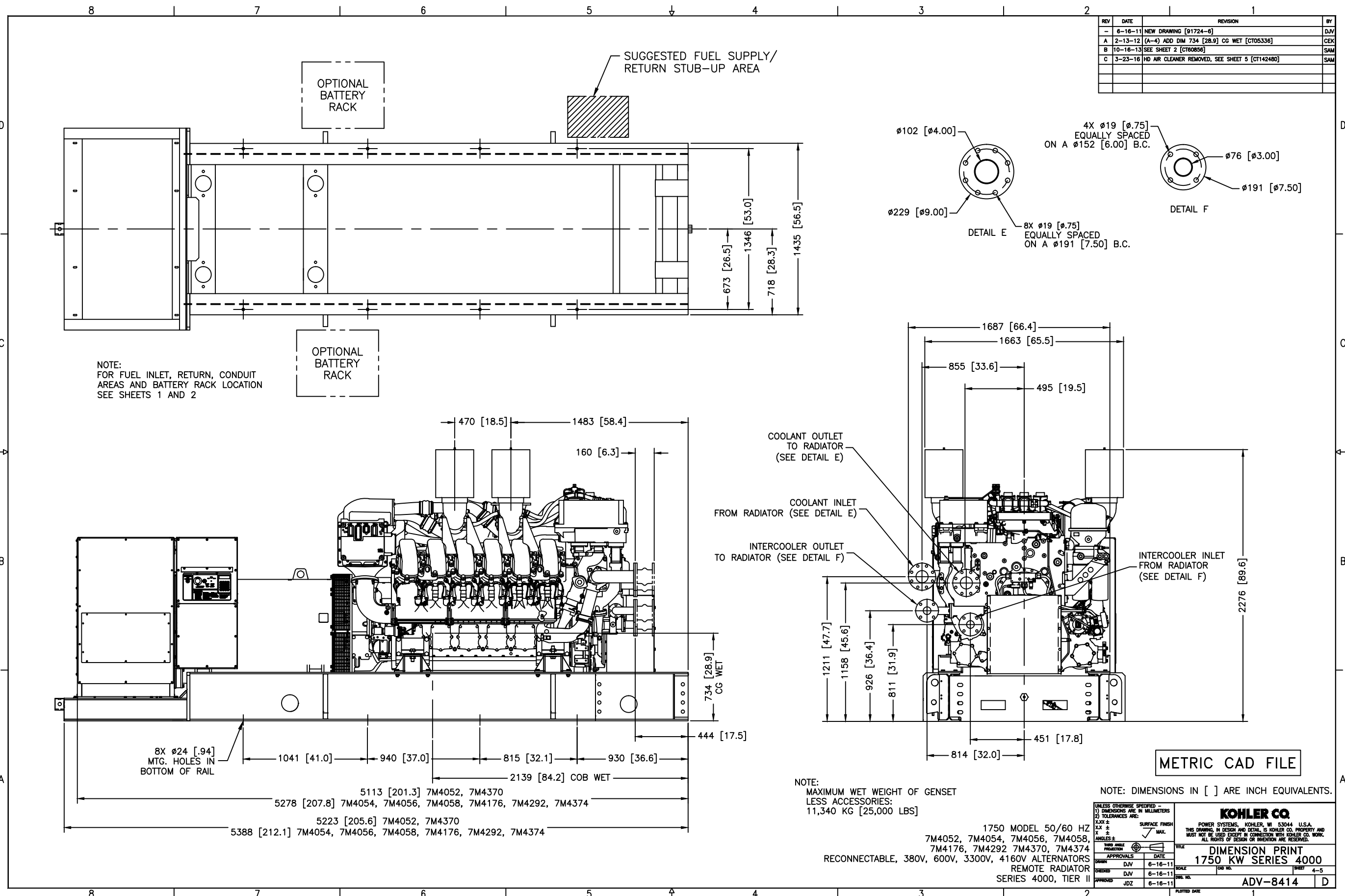
KOHLER CO.
 POWER SYSTEMS, KOHLER, WI 53044 U.S.A.
 THIS DRAWING, IN DESIGN AND DETAIL, IS KOHLER CO. PROPERTY AND MUST NOT BE USED EXCEPT IN CONNECTION WITH KOHLER CO. WORK. ALL RIGHTS OF DESIGN OR INVENTION ARE RESERVED.

DIMENSION PRINT
 1750 KW SERIES 4000

1750 MODEL 50/60 HZ
 7M4052, 7M4054, 7M4056, 7M4058,
 7M4176, 7M4292 7M4370, 7M4374
 RECONNECTABLE, 380V, 600V, 3300V, 4160V ALTERNATORS
 50C COOLING SYSTEM
 SERIES 4000, TIER II

APPROVALS	DATE
DRAWN: DJV	6-16-11
CHECKED: DJV	6-16-11
APPROVED: JDZ	6-16-11

TITLE: ADV-8414 D



REV	DATE	REVISION	BY
-	6-16-11	NEW DRAWING [91724-0]	DJV
A	2-13-12	(A-4) ADD DIM 734 [28.9] CG WET [CT05336]	CEK
B	10-16-13	SEE SHEET 2 [CT60856]	SAM
C	3-23-16	HD AIR CLEANER REMOVED, SEE SHEET 5 [CT142480]	SAM

NOTE:
FOR FUEL INLET, RETURN, CONDUIT
AREAS AND BATTERY RACK LOCATION
SEE SHEETS 1 AND 2

NOTE:
MAXIMUM WET WEIGHT OF GENSET
LESS ACCESSORIES:
11,340 KG [25,000 LBS]

NOTE: DIMENSIONS IN [] ARE INCH EQUIVALENTS.

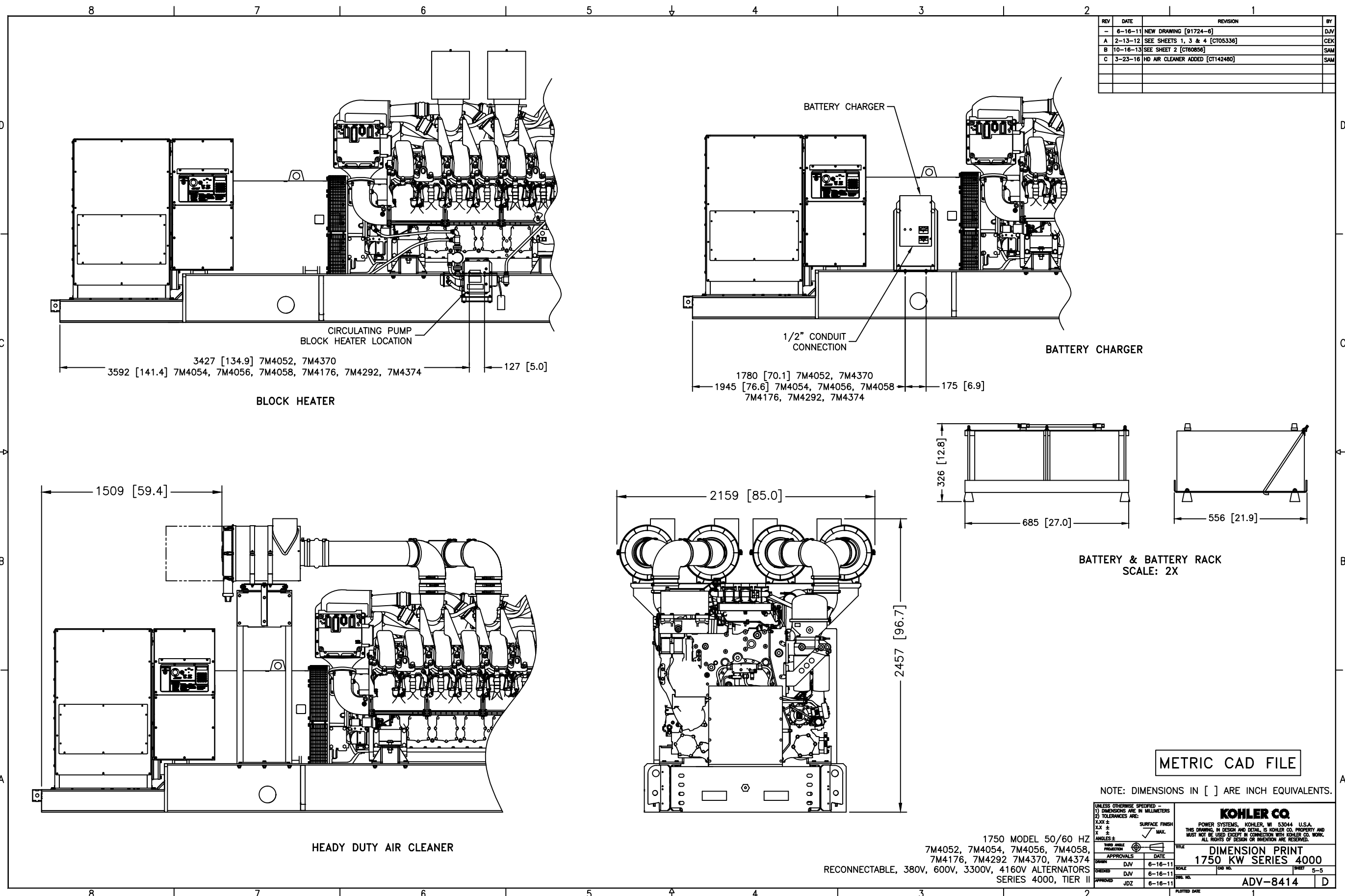
UNLESS OTHERWISE SPECIFIED - 1) DIMENSIONS ARE IN MILLIMETERS 2) TOLERANCES ARE: X.XX ± X ± ANGLES ±		SURFACE FINISH ✓ MAX.	
DRAWN: DJV CHECKED: DJV APPROVED: JDZ		DATE: 6-16-11	
DRAWING NO. 81724-0		SCALE: 4-5	
SHEET 4-5		PLOTTED DATE	

KOHLER CO.
POWER SYSTEMS, KOHLER, WI 53044 U.S.A.
THIS DRAWING, IN DESIGN AND DETAIL, IS KOHLER CO. PROPERTY AND
MUST NOT BE USED EXCEPT IN CONNECTION WITH KOHLER CO. WORK.
ALL RIGHTS OF DESIGN OR INVENTION ARE RESERVED.

DIMENSION PRINT
1750 KW SERIES 4000

1750 MODEL 50/60 HZ
7M4052, 7M4054, 7M4056, 7M4058,
7M4176, 7M4292 7M4370, 7M4374
RECONNECTABLE, 380V, 600V, 3300V, 4160V ALTERNATORS
REMOTE RADIATOR
SERIES 4000, TIER II

ADV-8414



REV	DATE	REVISION	BY
-	6-16-11	NEW DRAWING [91724-6]	DJV
A	2-13-12	SEE SHEETS 1, 3 & 4 [CT05336]	CEK
B	10-16-13	SEE SHEET 2 [CT60856]	SAM
C	3-23-16	HD AIR CLEANER ADDED [CT142480]	SAM

METRIC CAD FILE

NOTE: DIMENSIONS IN [] ARE INCH EQUIVALENTS.

UNLESS OTHERWISE SPECIFIED -
 1) DIMENSIONS ARE IN MILLIMETERS
 2) TOLERANCES ARE:
 0.125 ±
 0.25 ±
 0.5 ±
 1.0 ±
 1.5 ±
 2.0 ±
 3.0 ±
 4.0 ±
 5.0 ±
 6.0 ±
 8.0 ±
 10 ±

KOHLER CO.
 POWER SYSTEMS, KOHLER, WI 53044 U.S.A.
 THIS DRAWING, IN DESIGN AND DETAIL, IS KOHLER CO. PROPERTY AND
 MUST NOT BE USED EXCEPT IN CONNECTION WITH KOHLER CO. WORK.
 ALL RIGHTS OF DESIGN OR INVENTION ARE RESERVED.

1750 MODEL 50/60 HZ
 7M4052, 7M4054, 7M4056, 7M4058,
 7M4176, 7M4292 7M4370, 7M4374
 RECONNECTABLE, 380V, 600V, 3300V, 4160V ALTERNATORS
 SERIES 4000, TIER II

APPROVALS	DATE	TITLE
DRAWN: DJV	6-16-11	DIMENSION PRINT
CHECKED: DJV	6-16-11	1750 KW SERIES 4000
APPROVED: JDZ	6-16-11	ADV-8414

SCALE: 1:1
 SHEET: 5-5
 PLOTTED DATE: 6-16-11