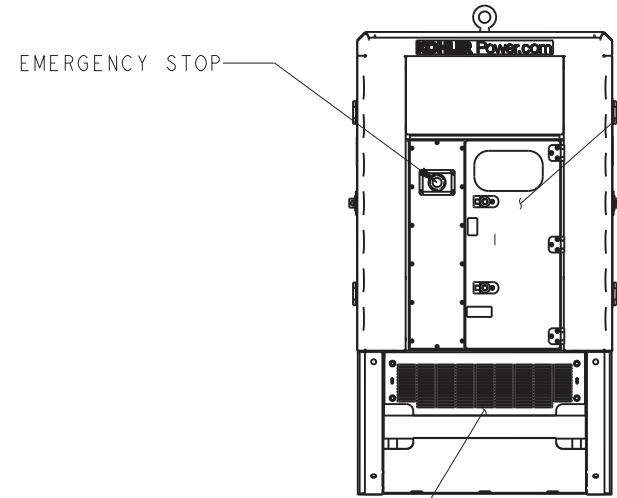
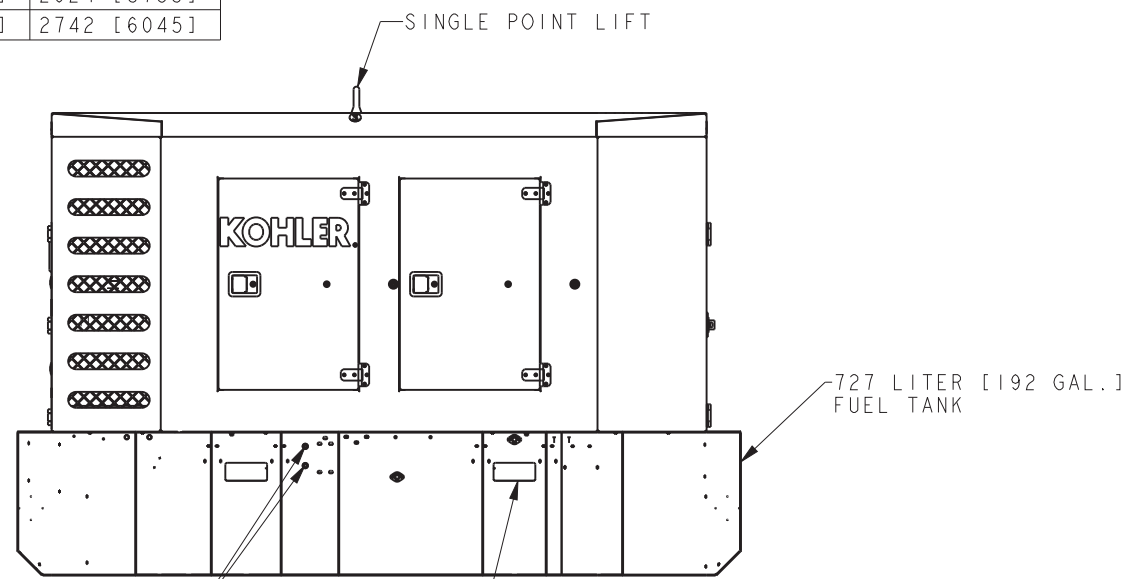


CENTER OF GRAVITY DIMENSIONS			WEIGHT DRY KG [LBS]	WEIGHT WET KG [LBS]
MODEL	CG X	CG Y		
80REOZJ4	1644 [64.7]	595 [23.4]	2577 [5680]	2624 [5785]
100REOZJ4	1659 [65.3]	600 [23.6]	2695 [5940]	2742 [6045]



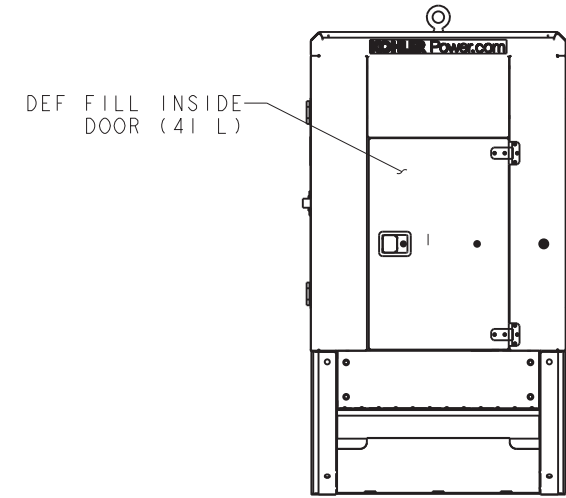
LOCKABLE DOOR
W/ VIEWING WINDOW

REMOVABLE PANEL,
LOCKABLE FOR CABLE
STORAGE



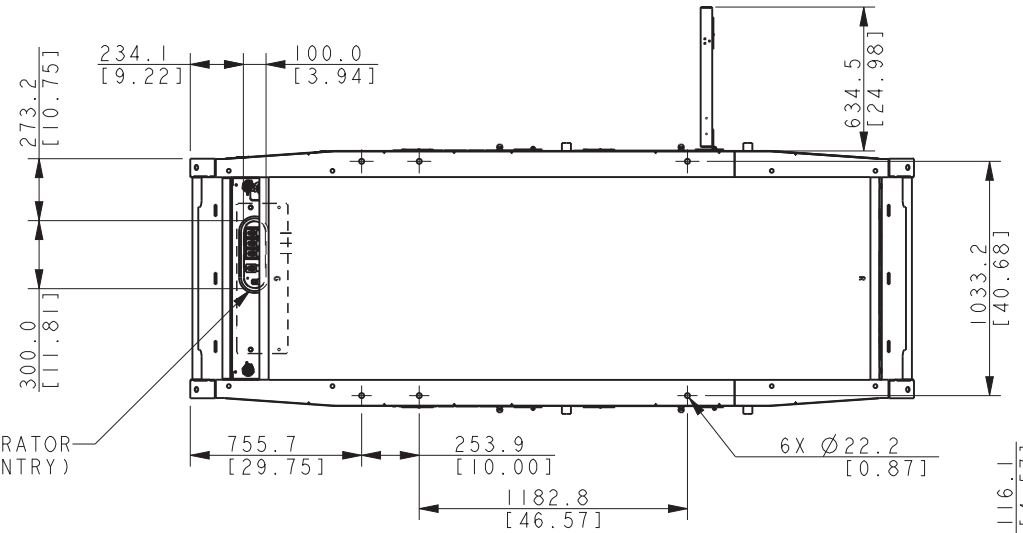
EXTERNAL FUEL
SUPPLY / RETURN
3/8" NPT

FORK POCKETS

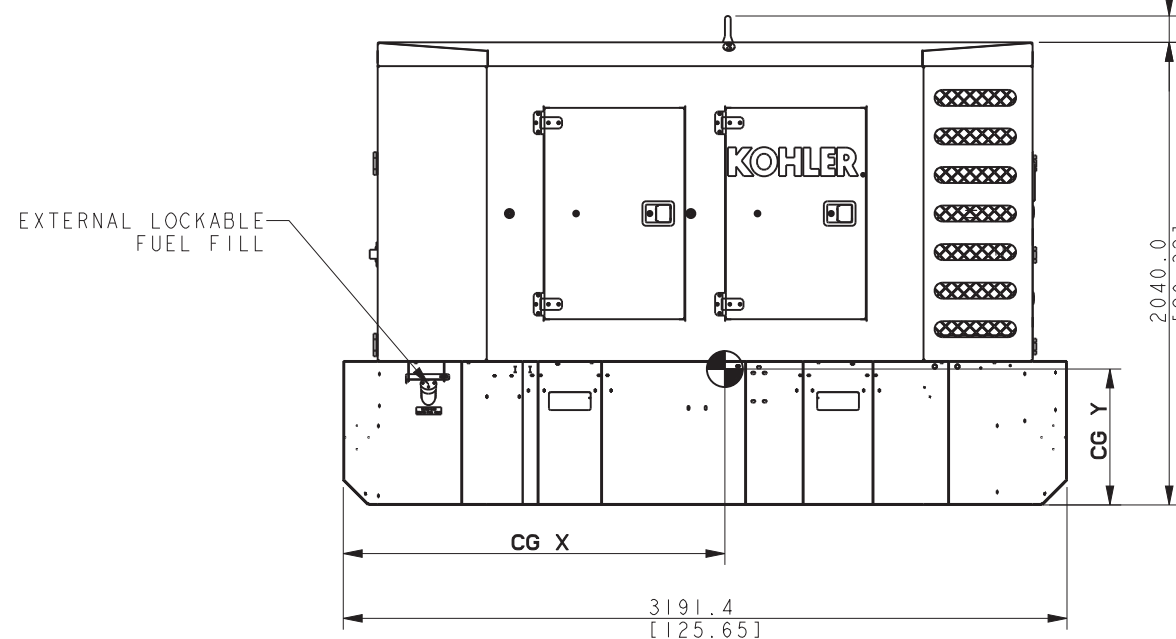


DEF FILL INSIDE
DOOR (41 L)

1119.4
[44.07]



CONDUIT ENTRY AREA FOR GENERATOR
LOAD LEADS (BOTTOM ENTRY)



EXTERNAL LOCKABLE
FUEL FILL

FIELD DRAGGABLE

WET WEIGHT INCLUDES ENGINE FLUIDS, EXCLUDING FUEL & DEF FLUID WEIGHT.
DIMENSIONS IN [] ARE ENGLISH EQUIVALENTS

REV	DATE	ON COMPOSITE DWGS. SEE PART NO. FOR REVISION LEVEL	BY	UNLESS OTHERWISE SPECIFIED - 1) DIMENSIONS ARE IN MILLIMETERS 2) TOLERANCES ARE:
-	11-3-15	NEW DRAWING [CT133155]	TAK	X.XX ± 0.25 X.X ± 1.0 X ± 1.5 ANGLES ± 0° 30' MAX.
				SURFACE FINISH
				THIRD ANGLE PROJECTION
				APPROVALS
				DATE
				DRAWN TAK 11-3-15
				CHECKED WDG 11-3-15
				APPROVED WDG 11-3-15

KOHLER CO. METRIC PRO-E
POWER SYSTEMS, KOHLER, WI 53044 U.S.A.
THIS DRAWING IN DESIGN AND DETAIL IS KOHLER CO. PROPERTY AND MUST NOT BE USED EXCEPT IN CONNECTION WITH KOHLER CO. WORK. ALL RIGHTS OF DESIGN OR INVENTION ARE RESERVED.

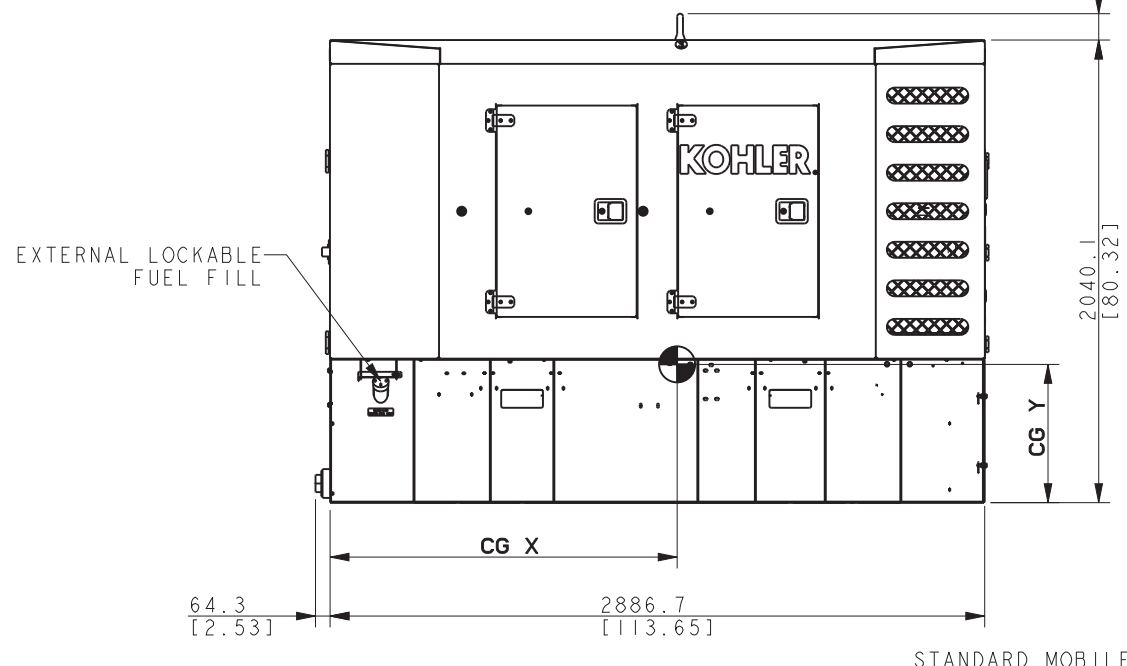
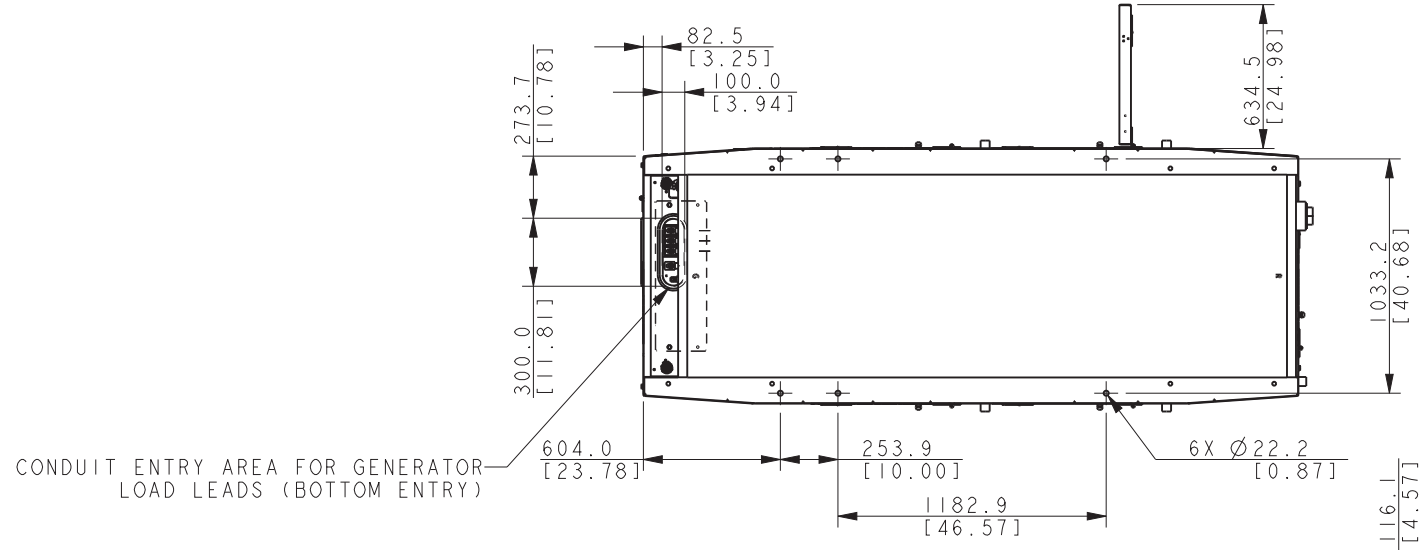
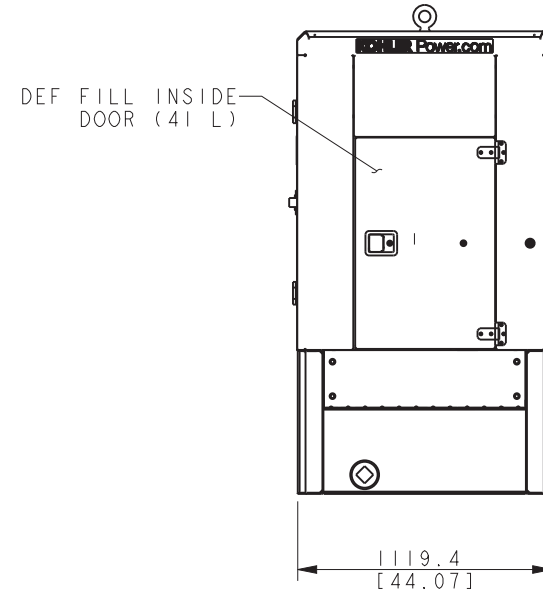
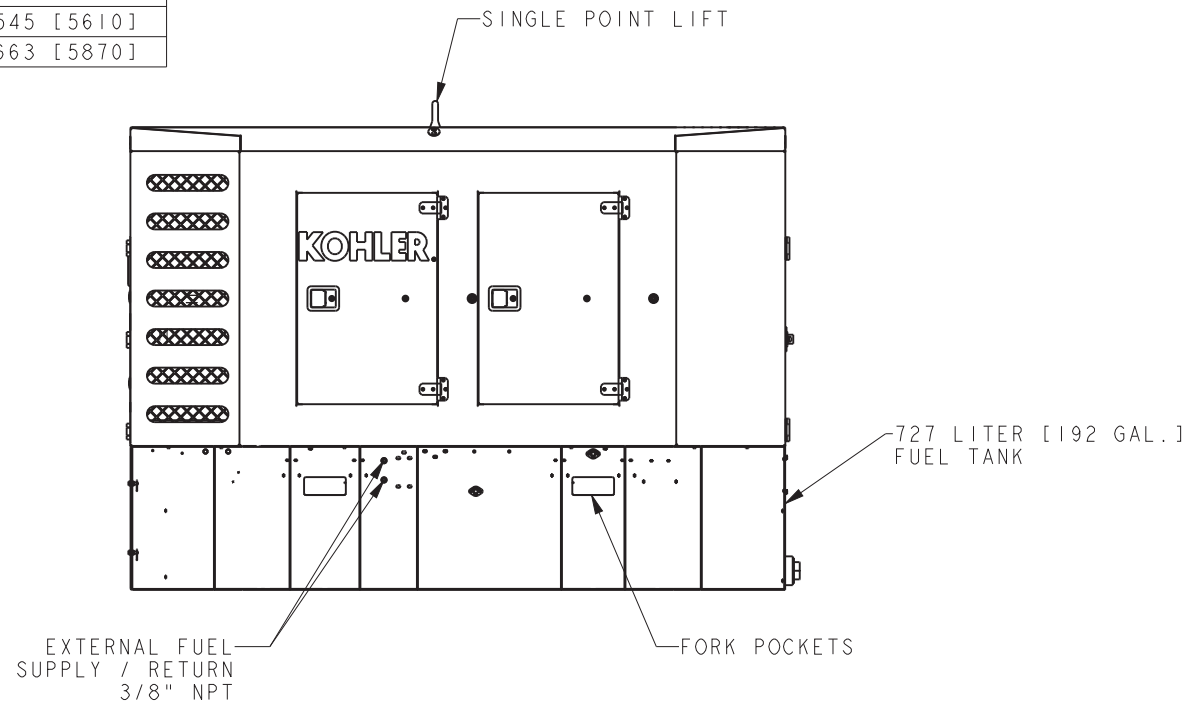
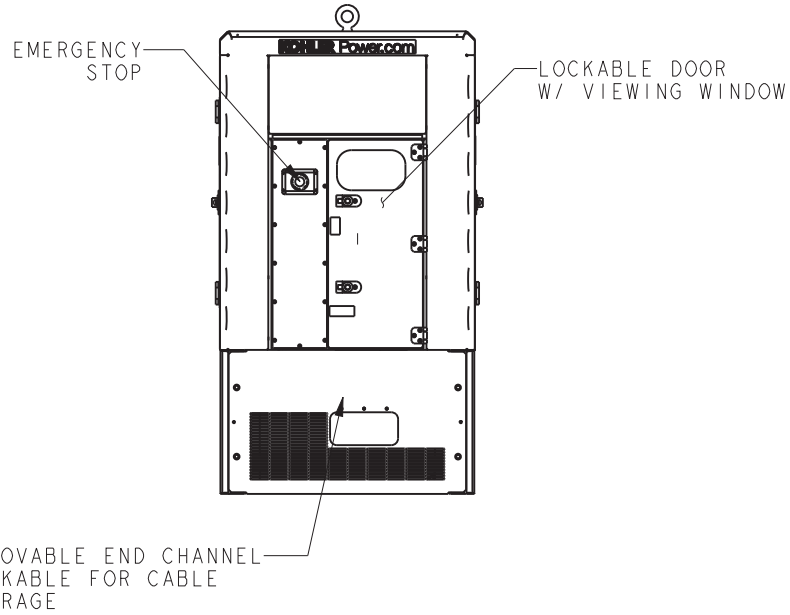
TITLE **DIMENSION PRINT, 80/100 STATIONARY PRIME**

SCALE 0.06 CAD NO. SHEET 1 of 2

DWG NO. **ADV-8830**

D

CENTER OF GRAVITY DIMENSIONS			WEIGHT DRY KG [LBS]	WEIGHT WET KG [LBS]
MODEL	CG X	CG Y		
80REOZJ4	1491 [58.7]	605 [23.8]	2497 [5505]	2545 [5610]
100REOZJ4	1506 [59.3]	607 [24.0]	2615 [5765]	2663 [5870]



WET WEIGHT INCLUDES ENGINE FLUIDS, EXCLUDING FUEL & DEF FLUID WEIGHT.
DIMENSIONS IN [] ARE ENGLISH EQUIVALENTS

REV	DATE	ON COMPOSITE DWGS. SEE PART NO. FOR REVISION LEVEL	BY
-	11-3-15	NEW DRAWING [CT133155]	TAK

UNLESS OTHERWISE SPECIFIED -
1) DIMENSIONS ARE IN MILLIMETERS
2) TOLERANCES ARE:
X.XX ± 0.25
X.X ± 1.0
X ± 1.5
ANGLES ± 0° 30' MAX.

THIRD ANGLE PROJECTION

APPROVALS	DATE
DRAWN TAK	11-3-15
CHECKED WDG	11-3-15
APPROVED WDG	11-3-15

KOHLER CO. METRIC PRO-E
POWER SYSTEMS, KOHLER, WI 53044 U.S.A.
THIS DRAWING IN DESIGN AND DETAIL IS KOHLER CO. PROPERTY AND MUST NOT BE USED EXCEPT IN CONNECTION WITH KOHLER CO. WORK. ALL RIGHTS OF DESIGN OR INVENTION ARE RESERVED.

TITLE DIMENSION PRINT, 80/100 STATIONARY PRIME

SCALE 0.06 CAD NO. SHEET 2 of 2

DWG NO. ADV-8830 D