

INSTALLATION NOTE
 IF SUBBASE FUEL TANK AND/OR SOUND HOUSING IS USED, REFER TO SUBBASE FUEL TANK ADV TO DETERMINE MOUNTING LOCATIONS.

- NOTES:**
- 1) WHEN SUBBASE TANK IS USED, CONDUIT MUST BE LOCATED OUTSIDE OF TANK AREA OR IN STUB-UP AREA FOR SUBBASE TANK. REFER TO SUBBASE ADV.
 - 2) DIMENSIONS IN [] ARE ENGLISH EQUIVALENTS.
 - 3) IF AN ENCLOSURE IS USED, THE FUEL LINE MUST BE STUBBED UP FROM DIRECTLY UNDER THE UNIT OR BROUGHT IN FROM THE END OF THE SKID. REFER TO ENCLOSURE ADV.
 - 4) MAXIMUM WET WEIGHT OF GENSET: 1923 KD [4240 LBS]
 - 5) IF IBC CERTIFICATION IS REQUIRED SEE SEISMIC ADV FOR INSTALLATION INSTRUCTIONS.

- 4X25.4 [1.0] STANDARD MOUNTING
- ◆ 10X25.4 [1.0] IBC MOUNTING

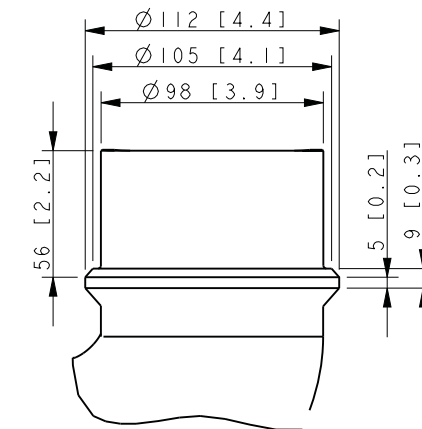
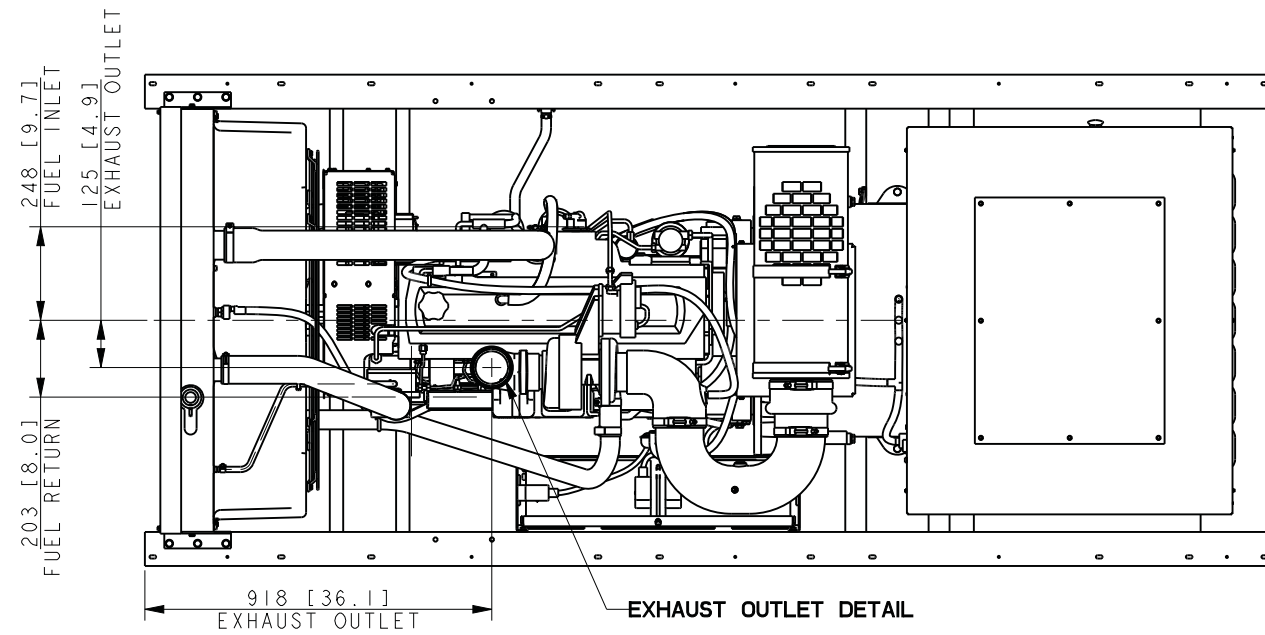
200 MODEL 4UA9, 4UA13, 4S13X RECONNECTABLE IMPROVED MOTOR STARTING (IMS) RECONNECTABLE AND 600V ALTERNATORS JOHN DEERE 6068HF TIER III

REV	DATE	ON COMPOSITE DWGS. SEE PART NO. FOR REVISION LEVEL	BY
-	6-6-11	NEW DRAWING [91637-3]	PLD
A	10-8-13	(A-5) 800 [31.5] ADDED; (A-4) 117 [4.6] WAS 254 [10.0]; (A-5) 1359 [53.5] WAS 1422 [56.0]; (A-6) 551 [21.7] WAS 1069 [42.1]; (A-8) 10X 25.4 WAS 6X 22.2 [CT59787]	SVP
B	10-1-15	(A-4) ALTERNATOR 4S13X MODEL DESIGNATION ADDED & SEE SHEET 2 [CT126236]	PAS

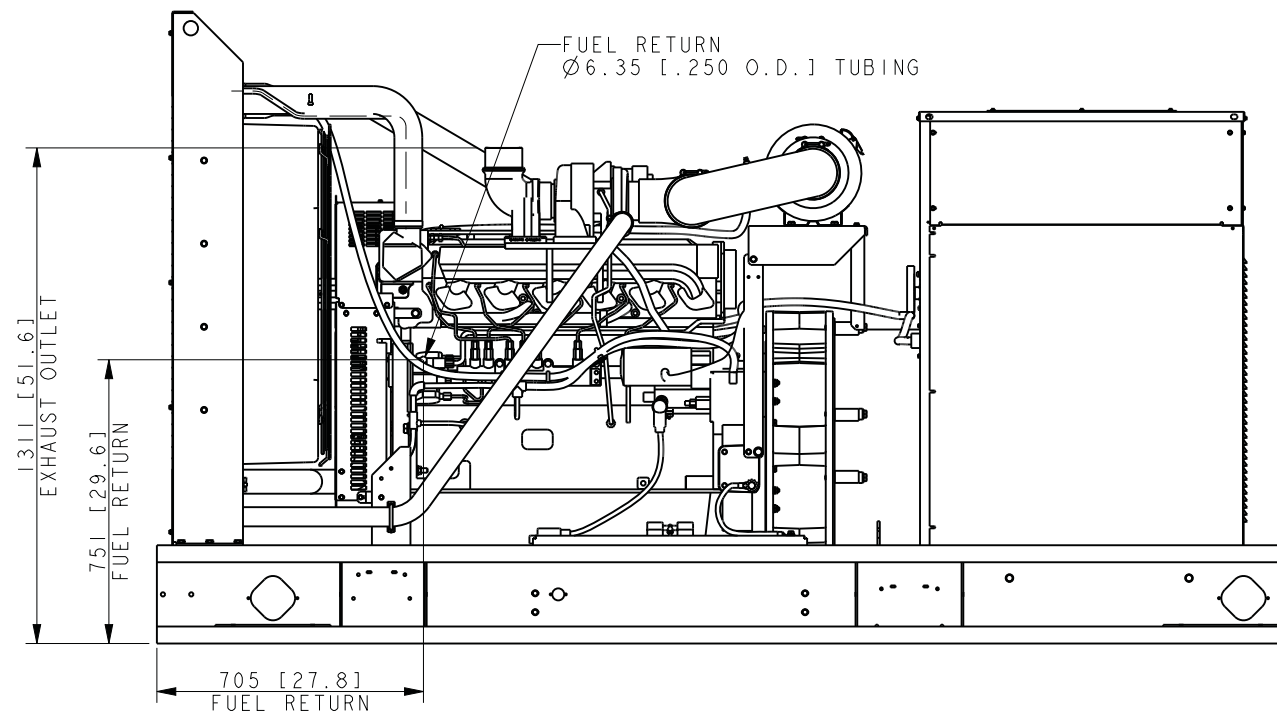
KOHLER CO. METRIC PRO-E
 POWER SYSTEMS, KOHLER, WI 53044 U.S.A.
 THIS DRAWING IN DESIGN AND DETAIL IS KOHLER CO. PROPERTY AND MUST NOT BE USED EXCEPT IN CONNECTION WITH KOHLER CO. WORK. ALL RIGHTS OF DESIGN OR INVENTION ARE RESERVED.

TITLE
 DIMENSION PRINT, 200 MODEL

SCALE 0.10 CAD NO. SHEET 1 of 2
 DWG NO. **ADV-8185**



EXHAUST OUTLET DETAIL
SCALE 0.60



**200 MODEL 4UA9, 4UA13, 4S13X RECONNECTABLE
IMPROVED MOTOR STARTING (IMS) RECONNECTABLE
AND 600V ALTERNATORS
JOHN DEERE 6068HF TIER III**

REV	DATE	ON COMPOSITE DWGS. SEE PART NO. FOR REVISION LEVEL	BY	UNLESS OTHERWISE SPECIFIED - 1) DIMENSIONS ARE IN MILLIMETERS 2) TOLERANCES ARE:	KOHLER CO. METRIC PRO-E POWER SYSTEMS, KOHLER, WI 53044 U.S.A. THIS DRAWING IN DESIGN AND DETAIL IS KOHLER CO. PROPERTY AND MUST NOT BE USED EXCEPT IN CONNECTION WITH KOHLER CO. WORK. ALL RIGHTS OF DESIGN OR INVENTION ARE RESERVED.
-	6-6-11	NEW DRAWING [91637-3]	PLD	X.XX ±	
A	10-8-13	SEE SHEET 1 [CT59787]	SVP	X.X ±	SURFACE FINISH MAX.
B	10-1-15	(A-4) ALTERNATOR 4S13X MODEL DESIGNATION ADDED & SEE SHEET 1 [CT126236]	PAS	ANGLES ±	
			THIRD ANGLE PROJECTION		TITLE
			APPROVALS		DIMENSION PRINT, 200 MODEL
			DRAWN PLD 6-6-11		SCALE 0.10 CAD NO.
			CHECKED PLD 6-6-11		SHEET 2 of 2
			APPROVED GDF 6-6-11		DWG NO. ADV-8185
					D