

MODEL	ALTERNATOR FRAME	CONNECTION	GENSET WEIGHT (WET)
600 60 HZ	5M4030	10 LEAD	4627 KG [10,200 LBS]
	5M4032	10 LEAD	4785 KG [10,550 LBS]
	5M4164	4 LEAD	4785 KG [10,550 LBS]
	5M4272	4 LEAD	4627 KG [10,200 LBS]
	5M4276	4 LEAD	4885 KG [10,770 LBS]

INSTALLATION NOTE
IF SUBBASE FUEL TANK AND/OR ENCLOSURE IS USED, REFER TO SUBBASE FUEL TANK/ENCLOSURE ADV TO DETERMINE MOUNTING LOCATIONS.

- NOTES:**
- 1) DIMENSIONS IN [] ARE ENGLISH EQUIVALENTS.
 - 2) IF AN ENCLOSURE IS USED THE FUEL LINE MUST BE STUBBED UP FROM DIRECTLY UNDER THE UNIT. REFER TO ENCLOSURE ADV.
 - 3) IF IBC CERTIFICATION IS REQUIRED SEE SEISMIC ADV FOR INSTALLATION INSTRUCTIONS.

REV	DATE	ON COMPOSITE DWGS. SEE PART NO. FOR REVISION LEVEL	BY
-	9-16-14	NEW DRAWING [CT92986]	SAM

UNLESS OTHERWISE SPECIFIED -
1) DIMENSIONS ARE IN MILLIMETERS
2) TOLERANCES ARE:
X.XX ±
X.X ±
X ±
ANGLES ±

THIRD ANGLE PROJECTION

APPROVALS

DATE

9-16-14

9-16-14

9-16-14

KOHLER CO. METRIC PRO-E

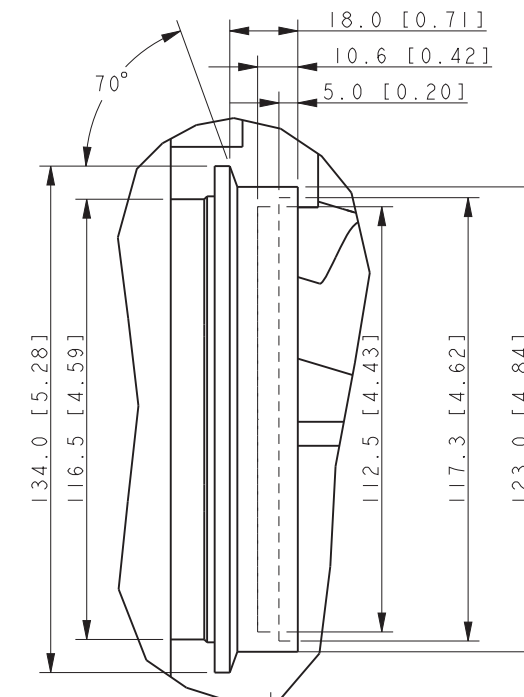
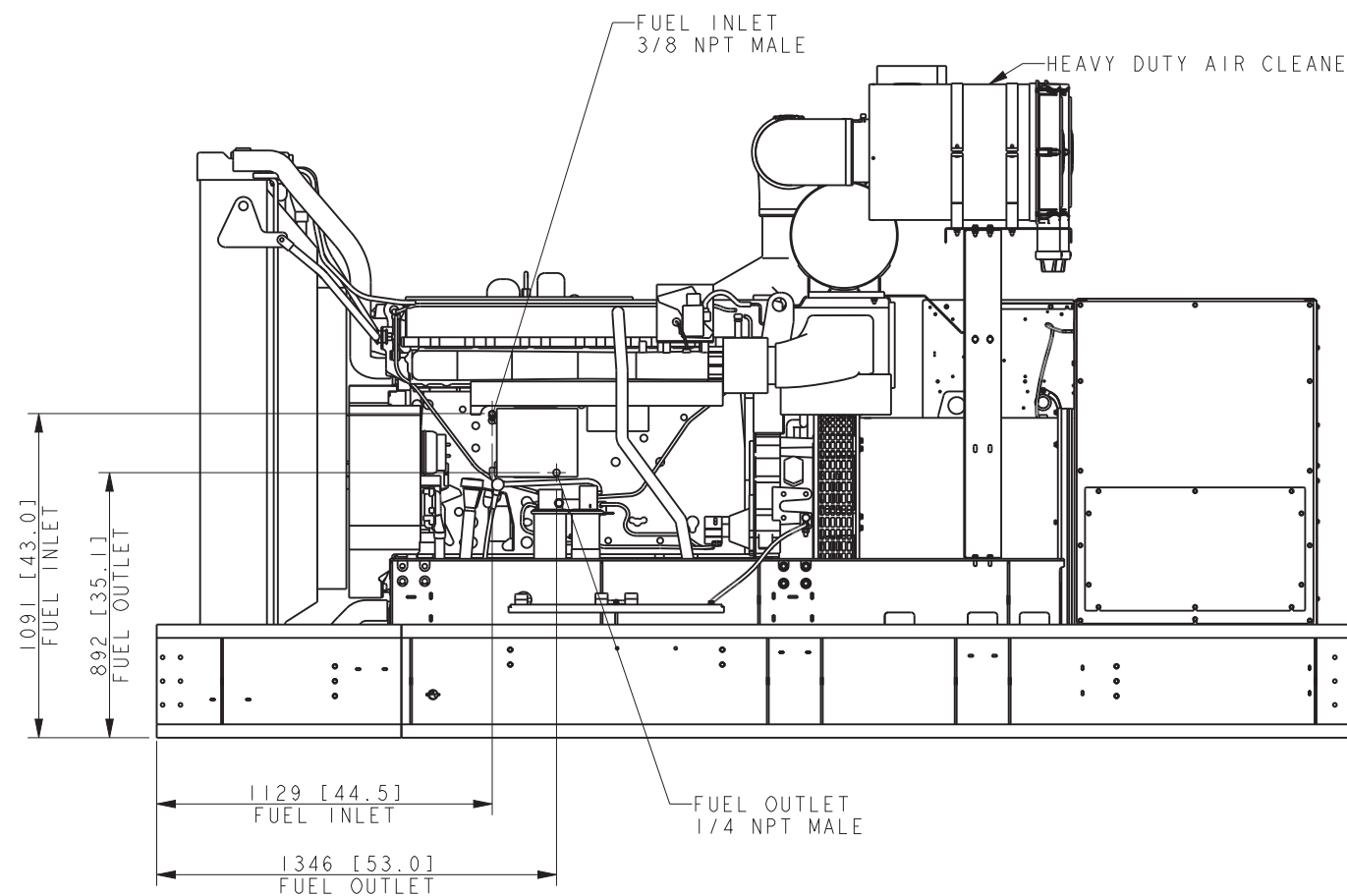
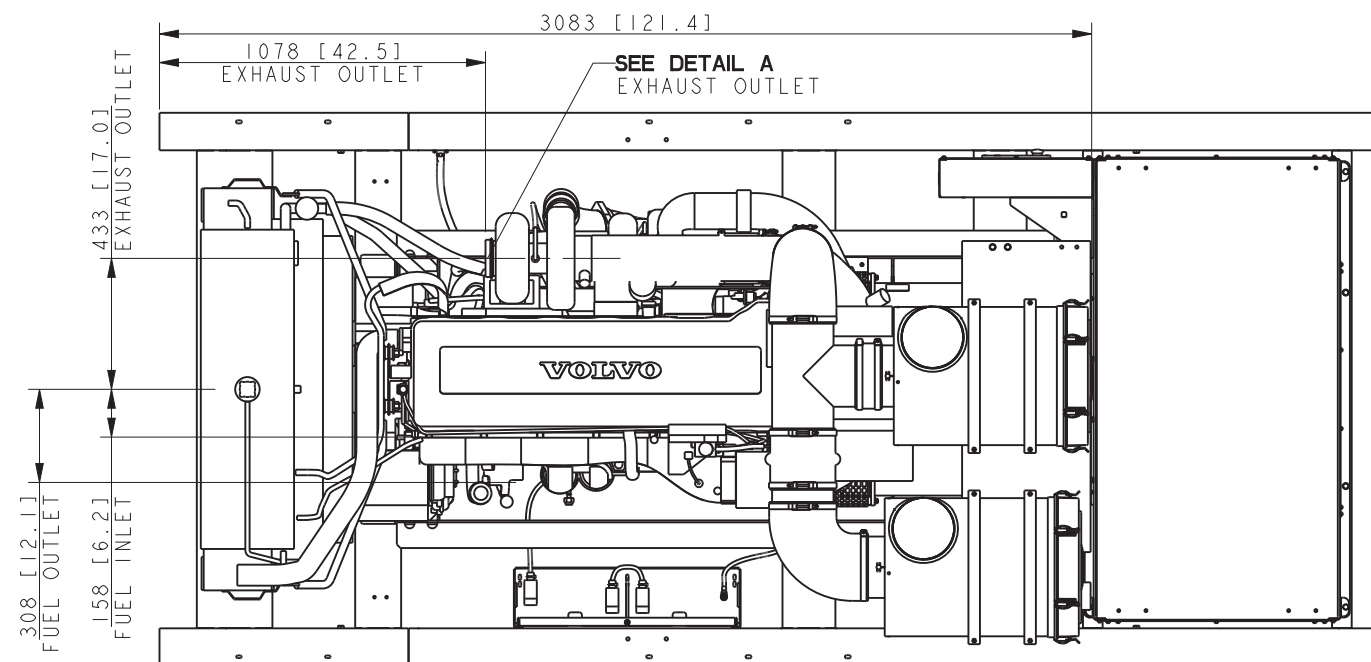
POWER SYSTEMS, KOHLER, WI 53044 U.S.A.
THIS DRAWING IN DESIGN AND DETAIL IS KOHLER CO. PROPERTY AND MUST NOT BE USED EXCEPT IN CONNECTION WITH KOHLER CO. WORK. ALL RIGHTS OF DESIGN OR INVENTION ARE RESERVED.

TITLE
DIMENSION PRINT, 600 KW VOLVO

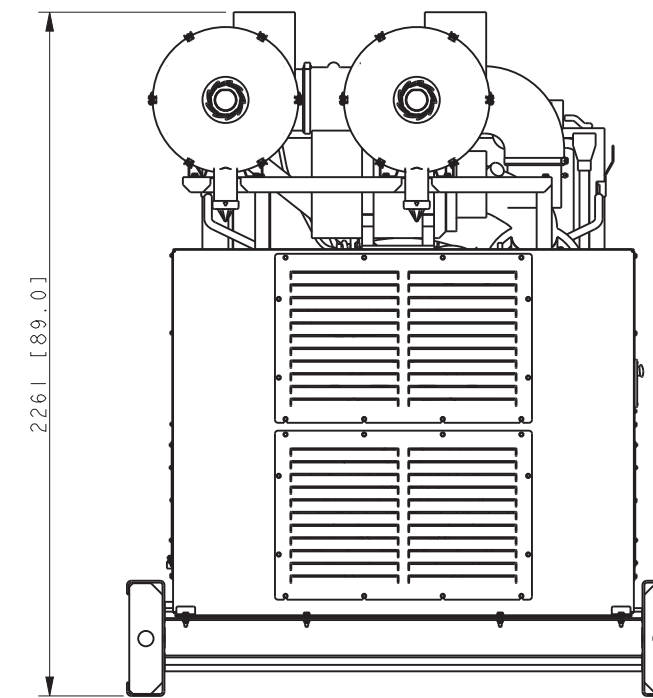
SCALE 0.08 CAD NO. SHEET 1 of 2

DWG NO. **ADV-8743**

D



DETAIL A
(EXHAUST OUTLET)



NOTE:
DIMENSIONS IN [] ARE INCH EQUIVALENTS.

600 MODEL 60 HZ
5M4030, 5M4032, 5M4164, 5M4272, 5M4276
RECONN., 380V, 600V ALTERNATORS
VOLVO

REV	DATE	ON COMPOSITE DWGS. SEE PART NO. FOR REVISION LEVEL	BY	UNLESS OTHERWISE SPECIFIED - 1) DIMENSIONS ARE IN MILLIMETERS 2) TOLERANCES ARE:	APPROVALS	DATE	TITLE
-	9-16-14	NEW DRAWING [CT92986]	SAM	X.XX ± X.X ± X ± ANGLES ±			KOHLER CO. METRIC PRO-E POWER SYSTEMS, KOHLER, WI 53044 U.S.A. THIS DRAWING IN DESIGN AND DETAIL IS KOHLER CO. PROPERTY AND MUST NOT BE USED EXCEPT IN CONNECTION WITH KOHLER CO. WORK. ALL RIGHTS OF DESIGN OR INVENTION ARE RESERVED. DIMENSION PRINT, 600 KW VOLVO SCALE 0.08 CAD NO. SHEET 2 of 2 ADV-8743
				THIRD ANGLE PROJECTION			
				APPROVED			
				CHECKED			
				APPROVED			